

**EVERYTHING  
YOU NEED TO  
LIVE EFFORTLESS.**





OVER  
50 YEARS OF  
**CONTINUOUS  
INNOVATION.**



Ebco was founded in 1963 as a Tool Room and diversified into mass production of critical components such as Cartridge Links for Ordnance Factories. In 1987, Ebco diversified into furniture hardware and has since become India's leading manufacturer of intelligent home and office furniture fittings.

Today, Ebco's product range spans Office Furniture Fittings, Drawer Slides and Hinges, General Hardware, Joinery Fittings & Screws, Furniture Locks, Retail Display Systems, Window-Door & Glass Hardware, Kitchen Systems & Accessories, Aluminium Profiles & Handles, Bed & Wardrobe Fittings & Accessories, Furniture Lights – LED. Our strengths include a range of core competencies in manufacturing, an ever-widening product range, stringent quality standards, affordable prices and an all-India distribution network.



## INFRASTRUCTURE



We have a state-of-the-art design and product development department which uses the latest 3D design software and CNC Machining Technology. This enables us to launch many new products every month. Our Tool Room capacities have increased significantly which has reduced product development lead time. Our corporate office is located in India's financial capital, Mumbai; we have three manufacturing plants and multiple warehousing facilities north of Mumbai in the towns of Vasai and Palghar, Maharashtra.

Our plants use state-of-the-art roll forming and

sheet metal pressing technology. Our products are engineered to perform and our quality department helps ensure that we consistently achieve this goal. Our Quality Assurance Laboratory at the Vasai manufacturing plant performs rigorous cycle tests, load tests and other checks in accordance with certified international quality norms. Our Window Fittings Plant in Palghar has been expanded to increase production capacity and we have commissioned two new warehouses in Palghar which have significantly increased our storage capacity.



## PRODUCT RANGE



Our products are organised into 11 verticals under 3 brands, each of which are unique, comprehensive and satisfy a variety of requirements.

### **LIVSMART – INTELLIGENT HARDWARE FOR HOMES**

Our Kitchen Systems and Accessories segment includes Drawer Systems and Accessories, Corner Solutions, Overhead Systems, Midway Systems, Waste Bins, Roll Top Shutters and more. With a special focus on strengthening our Bedroom Furniture Fittings segment, we have widened our range of products which includes Wardrobe Sliding Systems and Accessories, Pro Lift & Electric Bed Fittings, and related products.

### **EBCO – SIMPLIFYING LIVES**

Known for quality with value for money pricing and a wide range, we truly embody the drive to Make in India – we make almost all products under 7 verticals at our plants here in India. Over the past two years,

we have significantly widened our range of products with a special focus on the Architectural Hardware and Window Fittings segments. Our newly introduced products include Pole Display Shelving System, Steelfix, Combination Locks, Drawer Slides & Hinges, Friction Stays, Sliding Window Locks and many more.

### **WORKSMART – ERGONOMIC HARDWARE FOR OFFICES**

Already a market leader in this category, we continue to offer great products to facilitate better working habits and enhance productivity. Our Office Furniture Fittings segment includes a variety of new Monitor Arms, Smart Lifts – Height Adjustable Desks, Computer Keyboard Stations, CPU Stations, Cable Organisers, and other accessories.

Our strengths in these segments include our broad product range, best-in-segment quality standards, cutting edge features and fair pricing.

# CERTIFICATIONS

---

**Quality products, the protection of our environment and nurturing our people have always been our priorities.**

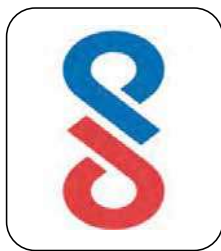
As a company, we are BIFMA Compliant. Our manufacturing plant at Vasai houses our Design and Development department, Tool Room, Press Shop, Hardening, Phosphating and Assembly departments and has been certified ISO 9001: 2015 – Quality Management System, ISO 14001: 2015 – Environmental Management System, ISO 45001:2018 – Occupational Health and Safety Management System.



ISO 9001: 2015 Quality Management Systems  
ISO 14001: 2015 Environmental Management Systems  
ISO 45001: 2018 Occupational Health and Safety Management Systems

# BIFMA

Our products are BIFMA compliant.



**BIS Certification**  
[www.bis.gov.in](http://www.bis.gov.in)

Bureau of Indian Standards





## Welcome to the world of **intelligent furniture hardware and accessories.**

Simplifying lives in every home, with efficient, stylish, and world-class design like never before!

Livsmart by Ebco offers an exclusive range of intelligent hardware solutions of kitchen systems & accessories, aluminium profiles & handles, bed & wardrobe fittings & accessories and furniture lights - LED

### MAKES LIFE



EFFICIENT



CONVENIENT



PRODUCTIVE



FLEXIBLE



TECHNOLOGICALLY  
ADVANCED



EFFORTLESS



VALUABLE



ORGANISED

## THE HALLMARK OF EFFICIENCY



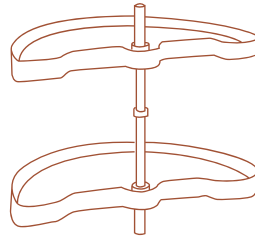




# CONTENTS

---

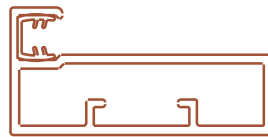
**KITCHEN SYSTEMS  
& ACCESSORIES**



09

---

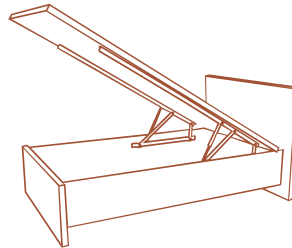
**ALUMINIUM PROFILES  
& HANDLES**



44

---

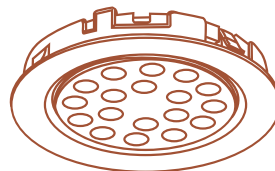
**BED & WARDROBE  
FITTINGS & ACCESSORIES**



56

---

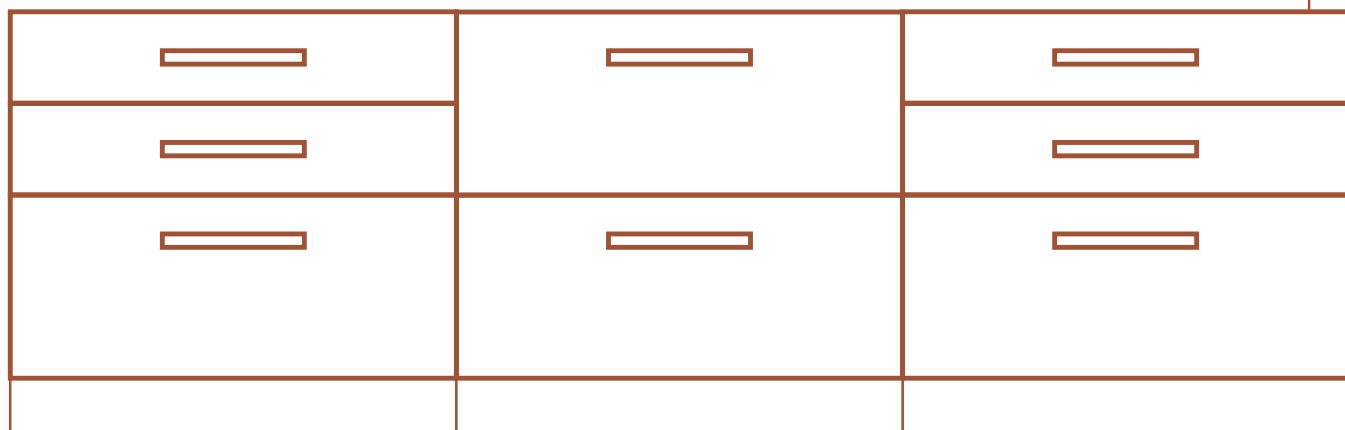
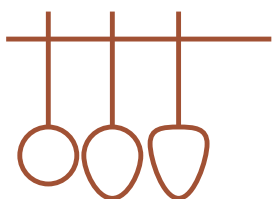
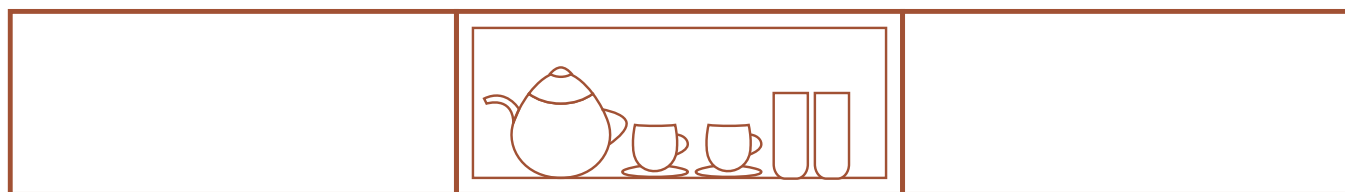
**FURNITURE LIGHTS - LED**



88

---

# KITCHEN SYSTEMS & ACCESSORIES





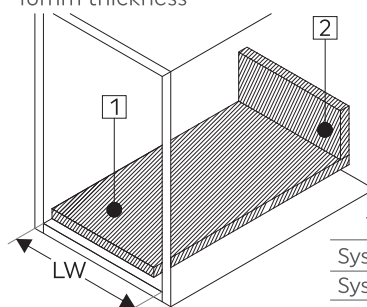
**SLO-MOTION**  
CLOSING SYSTEMS

65  
KGS

## Pro Motion Drawer System - N Series

- Fascia Panel System for internal drawers
- Glass/Aluminum side panel
- Drawer Partition System
- Height: 80mm, 176mm & 185mm
- Depth: 400mm, 450mm, 500mm & 550mm
- Flexibility of Width up to 1000mm
- Finish: WH, SG, AT

Technology pivot:  
Bottom and Back Panel Measurement  
16mm thickness



LW: Inside Cabinet Width

Type	'H' mm
System 80	68
System 176	176
System 185	185

- 1 Bottom panel width=LW-75mm  $\pm 0.5\text{mm}$   
Bottom panel length= Runner length - 10mm
- 2 Back panel height = H  
Back panel width = Inside cabinet width - 87mm  $\pm 0.5\text{mm}$



**Profile Drawer System 80**

**Load Capacity:**  
 For 400 & 450mm – 30 Kgs  
 For 500 & 550mm – 65 Kgs



**Profile Drawer System 185**

**Load Capacity:**  
 For 400 & 450mm – 30 Kgs  
 For 500 & 550mm – 65 Kgs



**Profile Drawer System 176 With Glass**

**Load Capacity:**  
 For 400 & 450mm – 30 Kgs  
 For 500 & 550mm – 65 Kgs



**Profile Drawer System 176 with Al. Panel**

**Load Capacity:**  
 For 400 & 450mm – 30 Kgs  
 For 500 & 550mm – 65 Kgs

**Pro Motion Drawer System - N Series Accessories**



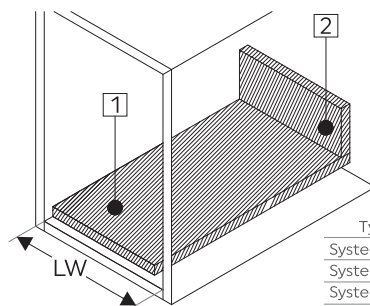


SOFT OPEN  
& CLOSE

## Pro Motion Drawer System - S2 Series (Soft Close/Push Open)

- Sizes:  
Soft Close: For Al. (Height) 90, 120, 175, 203mm & (Depth) 300, 350, 400, 450, 500, 550, 600mm  
For Glass: (Height) 90, 120, 175mm & (Depth) 450, 500, 550mm  
Push Open: For Al. (Height) 90 & 175mm & (Depth) 450 & 500mm
- Load Capacity: 50 kgs/30 kgs
- Aluminum/Glass/Add on Gallery System for internal drawers
- Flexibility of width up to 1000mm
- Finish: WH & AT

Technology pivot:  
Bottom and Back Panel Measurement  
16mm thickness



Type	For Al. Side Panel - H (mm)	For Glass Side Panel - H (mm)
System 90	68	63
System 120	100	101
System 175	151	148
System 203	183	-

LW: Inside Cabinet Width

- 1 Bottom panel width = LW-75mm (For Al. Panel) / LW-19mm (For Glass Panel)  
Bottom panel length = Runner length - 10mm (For Al. Panel) / Runner length - 20mm (For Glass Panel)
- 2 Back Panel Height = H/Back Panel Width = Inside Cabinet Width - 87mm+0.5mm (For Al. Panel)/Inside Cabinet Width - 42mm±0.5mm (For Glass Panel)



**Pro Motion Drawer System 90 S2 Series**



**Pro Motion Drawer System 120 S2 Series**



**Pro Motion Drawer System 175 S2 Series**



**Pro Motion Drawer System 203 S2 Series**

**Pro Motion Drawer System - S2 Series Accessories**



**For System 90mm**

**Facia Connector & Al. Facia Panel  
For PMDS 1 – S2 series**



**For System 175mm**

**Facia Connector + Al. Facia Rail & Al. Facia Panel  
for PMDS3 S2 Series**



**For System 175mm**

**Facia Connector + Al. Facia Panel & Glass Facia  
Panel for PMDS3 S2 Series**



**For System 90/120/175/203mm**

**Add On Gallery For Pro Motion S2 Series**



**Pro Motion Drawer System 90  
S2 Series with glass**



**Pro Motion Drawer System 175  
S2 Series with glass**



**Pro Motion Drawer System 120  
S2 Series with glass**



**Add on Gallery for Pro Motion Slim 2 Series**

**Pro Motion Drawer System - S2 Series Accessories**



**For System 90mm with Glass**

**Facia Connector & Al. Facia Panel  
For PMDS 1 - S2 Series**



**For System 175mm with Glass**

**Facia Connector + Al. Facia Rail &  
Al. Facia Panel  
For PMDS3 - S2 Series**



**For System 175mm with Glass**

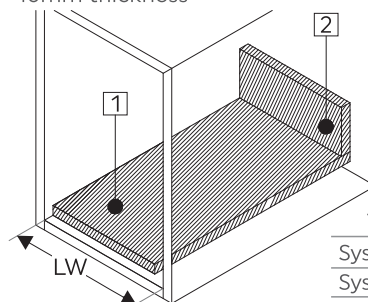
**Facia Connector + Glass Facia  
Panel + Al. Facia Panel  
For PMDS 3 - S2 Series**



## Pro Motion Drawer System - S3 Series

- Length : 450, 500 & 550mm
- Side panel height : 90/122/172mm
- Load Capacity : 50 Kgs
- Drawer width can be adjusted freely with automatic error adjustment
- Full extension of drawer with soft close feature
- Quick to install and dismantle
- Facia panel system for internal drawers

Technology pivot:  
Bottom and Back Panel Measurement  
16mm thickness



Type	'H' mm
System 90	84
System 122	116
System 172	167

LW: Inside Cabinet Width

- 1 Bottom panel width =  $LW - 75\text{mm} \pm 0.5\text{mm}$   
Bottom panel length = Runner length - 24mm
- 2 Back Panel Height = H  
Back Panel Width = Inside Cabinet Width -  $87\text{mm} \pm 0.5\text{mm}$





For System 90mm



For System 122mm



For System 172mm



Add on Gallery for Pro Motion S3 Series

## Pro Motion Drawer System - S3 Series Accessories



For System 90mm

Facia Connector & Al. Facia Panel  
For PMDS1 - S2 Series



For System 122mm

Facia Connector + Al. Facia Rail +  
Al. Facia Panel For PMDS2 - S3 Series

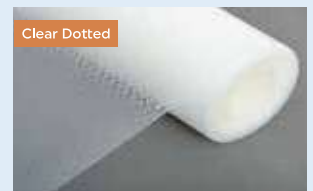


For System 172mm

Facia Connector + Al. Facia Rail +  
Al. Facia Panel For PMDS3 - S3 Series

## ANTI SKID MATS

- Ideal for kitchen drawers, cabinet/ wardrobe shelves, working table, etc.
- Patterned upper surface for better hold and superior anti-skid coating at the bottom
- For use in kitchen drawers and shelves - protects furniture from water dripping and the anti-skid feature keeps the cutlery and utensils in place
- For use in wardrobe and shelves - protects clothes from wood coating stain
- Easy to clean and reuse



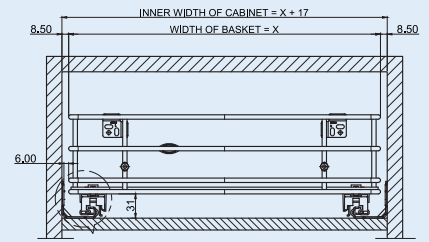
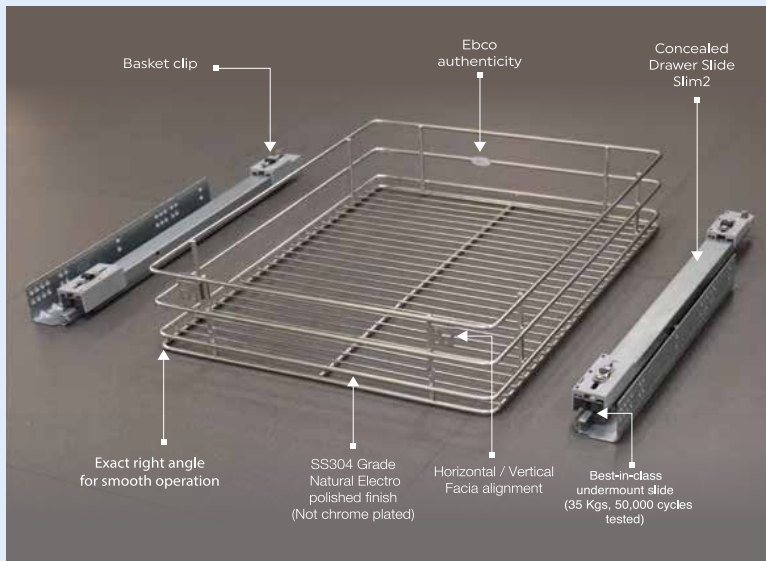
Item	Code Nos.	Size mm (W x L x T)	Finish
Anti Skid Mat 2 - Anthracite (Dotted)	ASM2-ATD	510 x 5000 x 0.85mm	Anthracite
Anti Skid Mat 2 - Clear (Dotted)	ASM2-CLD	510 x 5000 x 0.85mm	Clear
Anti Skid Mat 3 - Grey (Cross)	ASM3-GRC	510 x 5000 x 0.85mm	Grey
Anti Skid Mat 4 (Canvas)	ASM4 50 AT	500 x 20000 x 1.2mm	Anthracite
	ASM4 50 GR	500 x 20000 x 1.2mm	Grey
	ASM4 61 AT	610 x 20000 x 1.2mm	Anthracite

# KITCHEN BASKETS - SS304 Undermount Series

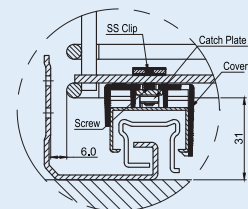


## Kitchen Baskets For Undermount Slides - SS304

- These new kitchen baskets are space savvy and an ideal solution for storing kitchen utensils
- Recommended to use with Ebco Concealed Drawer Slide - Slim 2. Code: CDSS2HKB-50-SC
- Available in different variations to choose from - Cutlery, Plain, Cup & Saucer, Plate and Thali



Front View



DETAIL VIEW 'X'

Cutlery



Plain



Cup & Saucer



Plate



Thali



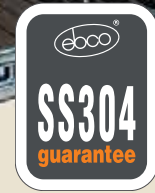
Utensil



Modular



## KITCHEN BASKETS - SS304 Modular series



### Right Angle Modular Basket - SS304

#### Widest Range

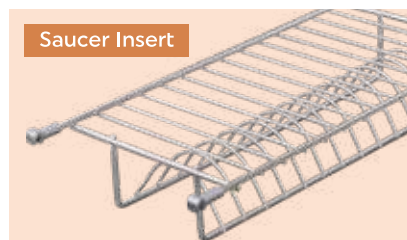
- Over 320 variations in types and sizes to suit any application & standard cabinet dimensions
- Options of ready-to-use or modular baskets
- Extremely flexible for making a combination of own choice
- Over 600 variations of drawer slides to choose from

#### Superior Quality

Electropolished stainless steel for lasting finish with no external plating.



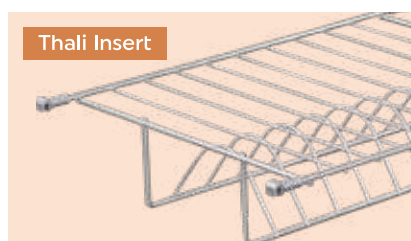
Cup Insert



Saucer Insert



Plate Insert



Thali Insert



Partition rod for Basket with Clip

# KITCHEN BASKETS - SS304

Regular series



Half Bottle Rack



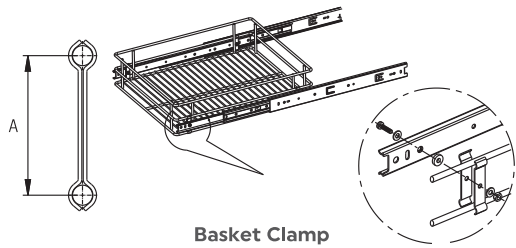
Kitchen Utensil Basket



Cutlery

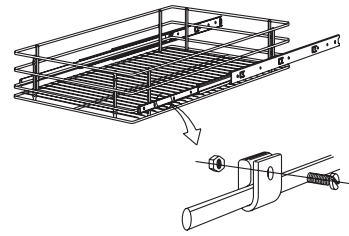


## ESSENTIAL HARDWARES



Basket Clamp

Dinner Set Basket



U Clamp

Kitchen Grain Drawer



Shims & Kitchen Basket Spacer - 5mm



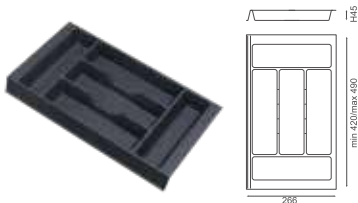
Kitchen Basket Spacer

**DRAWER ACCESSORIES**

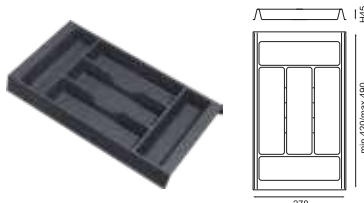


**Modular Cutlery Tray**

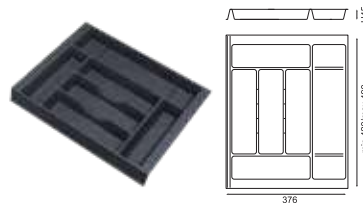
Single Wing 10-20  
Code: MCT 1020SW



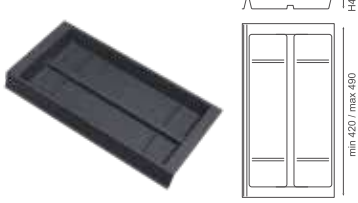
Double Wing 11-20  
Code: MCT 1120DW



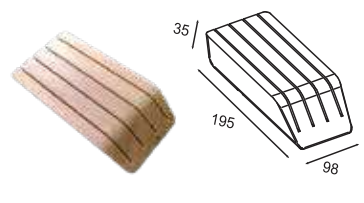
Single Wing 15-20  
Code: MCT 1520SW



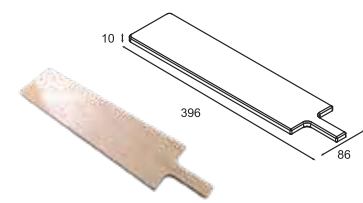
Single Wing 9-20  
Code: MCT 920SW



Knife Block  
Code: MCT - KB2



Cutting Board  
Code: MCT - CB2





Innumerable options for users to organize drawers with utility products like Drawer partition - Kitchen, Drawer Plate Organiser, Kitchen Cutlery Tray & Inserts.



### Drawer Partition Kitchen (Ht: 60mm)

<p>DPK 2048 - A</p>	<p>DPK 2048 - B</p>	<p>DPK 3048 - A</p>
<p>DPK 3048 - B</p>	<p>DPK 4048 - A</p>	<p>DPK 4048 - B</p>



**Drawer Plate Organiser (With End Cover)**



**Kitchen Cutlery Tray**



**Kitchen Cutlery Inserts**



**Kitchen Drawer Rack - Plate**



**Kitchen Drawer Rack - Thali**



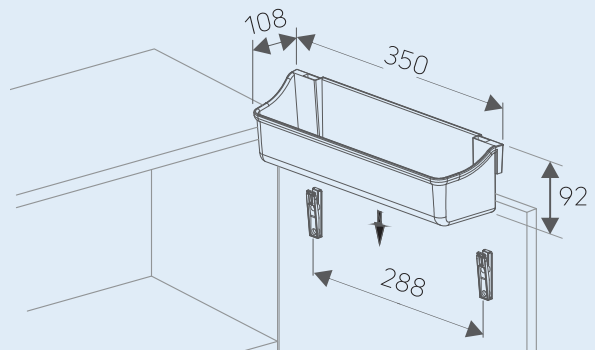
**Plastic Wicker Basket**

Reinforced with SS304 rods, these baskets are made of plastic wires that are stable & suitable for all seasons.

- Height: 100, 150 & 200mm
- Width: 450 & 600mm (Internal Width: 414 & 564mm)
- Depth - 500mm
- Load Capacity: 15 Kgs (Per Basket)
- Finish - BR



**Shelf Tray**



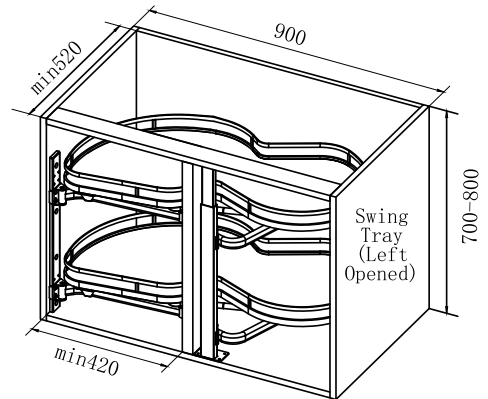
- A multi-utility shelf tray that can be used in kitchens (waste bin shutters, pantry unit shutters, overhead shutters, on the mid-way wall, etc.), Wardrobes (for cosmetics, perfumes, etc.) in bathroom cabinets & more
- This tray can be fitted on to the inner face of any shutter
- Easy to clip-on and release function which allows the trays to be taken out for cleaning
- Finish: WH, MC



SOFT OPEN & CLOSE 

### Double Corner Pullout Eco 450

- Thoughtfully designed for corner cabinets
- Trays can be pulled out individually and height of the trays can be customized as required
- Soft closing damper for smooth functioning
- Load capacity: 15 Kgs per tray
- Finish: AT



**Kitchen Carousel Unit**

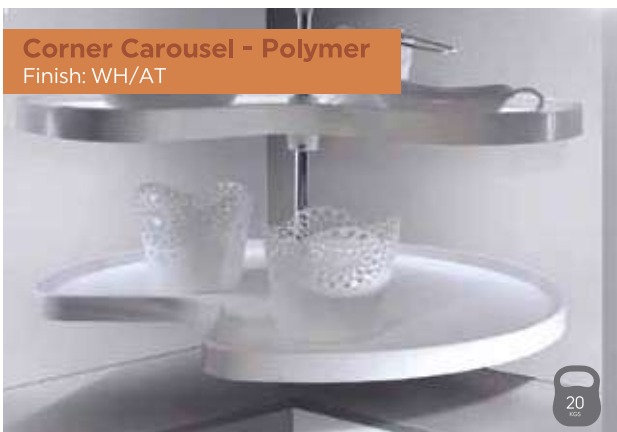
**Kitchen 'D' Carousel**

**Kitchen 'D' Tray**

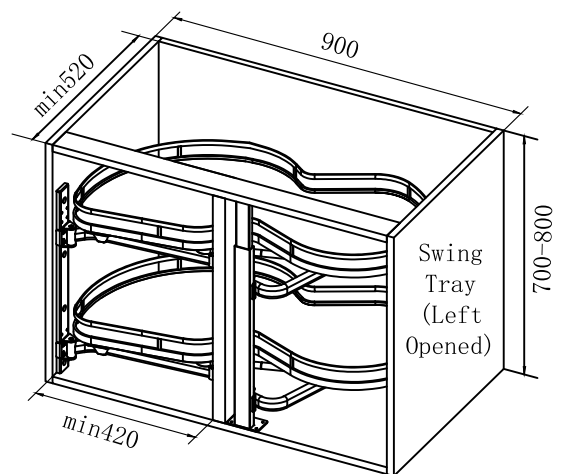


## Double Corner Pullout Polymer 450 - R/L (Soft Close)

- Thoughtfully designed for corner cabinets
- Customizable height for trays
- Smooth & effortless functioning
- Trays can be pulled out individually
- Finish: WH & AT



**Corner Carousel - Polymer**  
Finish: WH/AT



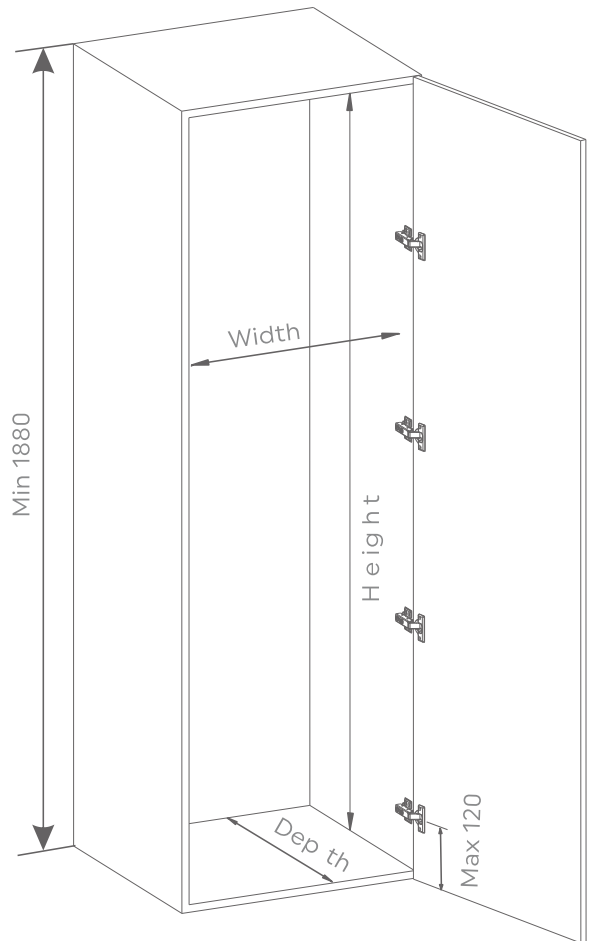
STORAGE SYSTEMS



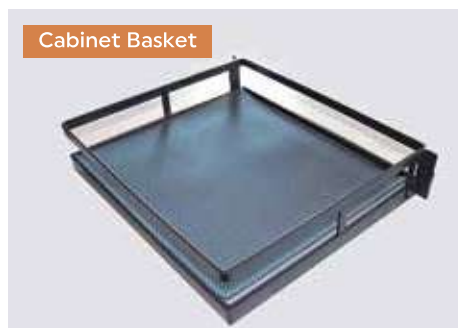
## Kitchen Pantry Unit - Soft Close ( 450/600mm)

- Specially designed kitchen pantry units are available with Flat Base Basket & SS304 Baskets
- Ideal for 450mm & 600mm wide cabinets
- In-built slide out mechanism with height adjustable baskets/shelves for easy accessibility
- Six baskets on the cabinet and six baskets on the shutter
- Left hand and right hand compatible
- Recommended to use with Ebco 125° Hinge
- Load Capacity:  
Cabinet Basket: 5 Kgs/Each  
Shutter Basket: 3 Kgs/Each

Code Nos.	Cabinet Internal Dimensions (Width x Depth x Height mm)
KPUSC - 45M	415 x 530 x 1850 Min.
KPUSC - 60M	565 x 530 x 1850 Min.
KPUSC - 45	415 x 530 x 1850 Min.
KPUSC - 60	565 x 530 x 1850 Min.



### Flat Base Basket



### SS304 Basket



# PULLOUTS



AVAILABLE IN BELOW SIZES:

For SS 304 Baskets:

- 100mm (For 150mm cabinets)
- 150mm (For 200mm cabinets)
- 200mm (For 250mm cabinets)

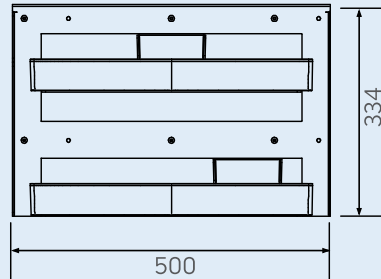
For Flat Baskets :

- 100mm (For 150mm cabinets )
- 150mm (For 200mm cabinets)
- 200mm (For 250mm cabinets)
- 250mm (For 300mm cabinets)

For Slim Pullout:

- 500 & 550mm

## Side Pullout Organiser - 2 Tier



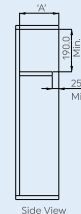
- This side pullout has multiple applications in kitchens, wardrobes, and other utility cabinets where small and different things can be stored in an organized manner
- Soft close feature ensures smooth functioning
- Fits easily anywhere on the side of cabinet and in narrow spaces
- Load Capacity: 3 Kgs per Shelf
- Finish: AT

Side Pullout Baskets with Holder

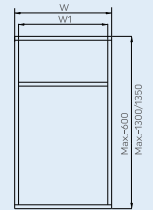
Side Pullout Frameless



Roll Top - Easy/Pro



Side View



Front View

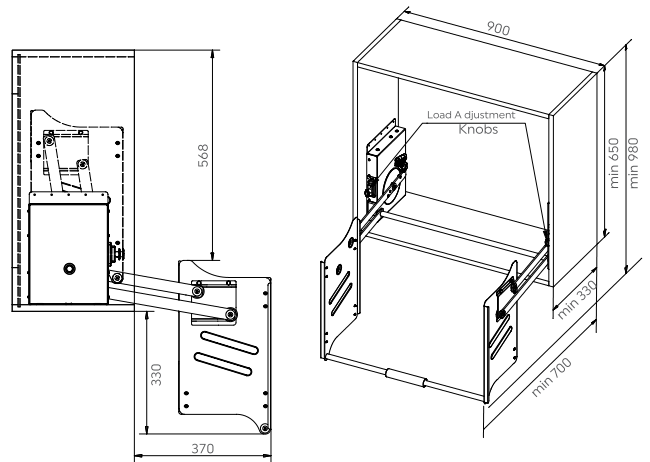
Model	'A' mm	W	W1 (Internal Cabinet Width)
Roll Top Easy - Vertical	160/280 Min.	450	414
Roll Top Pro - Vertical	280 Min.	600	564
		900	864

Finish - SL, SF, FG, GW, AT, MC & FW



## Kitchen Pulldown System 900mm

- Thoughtfully designed for kitchen overhead units
- Soft pulldown & Soft lift up feature
- Ability to adjust the load as per requirement
- Cabinet internal width: 864-868mm
- Baskets can easily be removed for cleaning and clipped back
- Available in two options - SS 304 Basket/Glass Basket
- Load Capacity: 12 Kgs • Finish: AT (Mechanism)



Glass Basket



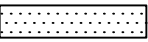




















SS 304 Basket





## Eurolift Flap Door System

### SHUTTER SIZE SELECTION CHART

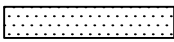

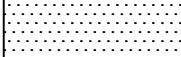
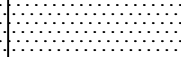
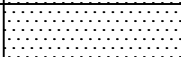
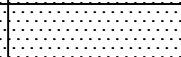
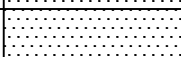
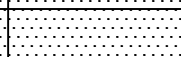


Eurolift Flap Door - Single Side 		Eurolift Flap Door - Double Side 						
Height (mm) (H) \ Width (mm) (W)	300	400	500	600	720	800	900	
600								
900								
1200								

- Ideal for overhead hanging cabinets
- Flap type fully openable door for easy accessibility
- The kit consists of mechanism with Cover, Hinge Clip-on Bracket, Allen Key and Self Tapping Screws
- Recommended to use Ebco Soft Close Hinges (Code: E-HSM1-M1)



## **Eurolift Bifold Door System**

### SHUTTER SIZE SELECTION CHART

Eurolift Bi-Fold Door - Single Side 		
Eurolift Bi-Fold Door - Double Side 		
Height (mm) (H) \ Width (mm) (W)	585-630	690-750
300		
600		
900		
1200		

- Ideal for overhead hanging cabinets
- Folding type doors in open condition for space saving
- The kit consists of mechanism with Cover, Hinge Clip-on Bracket, Folding Hinge (2 Nos.), Allen Key and Self Tapping Screws
- Recommended to use Ebco Soft Close Hinges (Code: E-HSM1-M1)



### Shutter Lift Heavy

- Shutter opening angle 100°
- Door Thickness: 16-28mm
- Suitable for wooden and framed glass doors
- Soft-Close, Lift-Up & Close, Silent motion and easy to use fitting
- Suitable for Kitchen, Living Room, Office & Bathroom

CABINET SIZE		PANEL WEIGHT	USAGE ADVICE
HEIGHT	WIDTH		
380-550mm	500-1200mm	3-5 kg	1 Side
380-550mm	500-1500mm	5.1 - 8.7 kg	2 Side

## ESSENTIAL HARDWARE FOR OVERHEAD SYSTEMS



Pro Lift



Pro Lift Progressive



Pro Lift Soft-close



Pro Lift Heavy Duty



Cabinet Stay



Cabinet Stay - Heavy



**Kitchen Plate Tray/Glass Tray/Drip Tray**

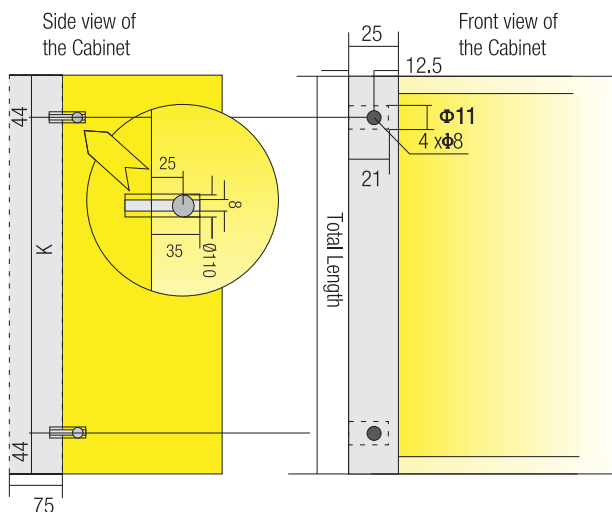
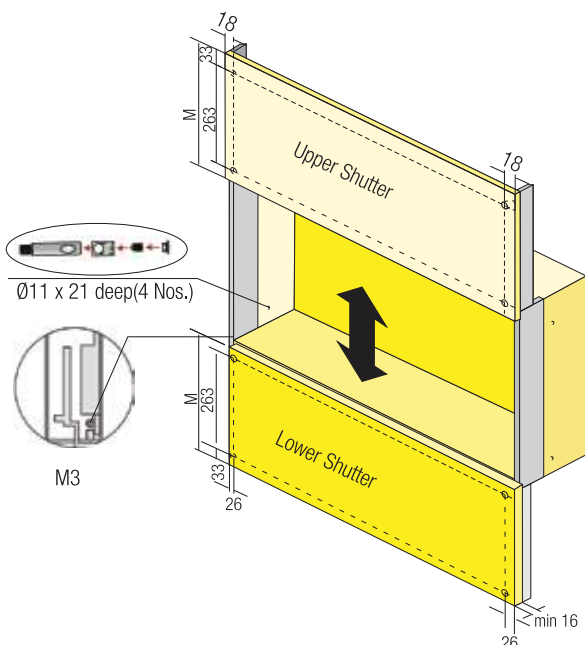


**Kitchen Plate Rack/Glass Rack/Drip Tray (w/o Rod Support & Anchors)**



### **Vertical Split Fittings**

- Versatile and compact lift systems with strong functional appeal
- Suitable for a vast range of furniture applications – Kitchens, Living rooms, etc.
- Shutter Height: 600mm (300 x 2 Shutters)
- Shutter Weight: Up to 30Kgs (15 x 2 Shutters)
- Shutter Width: Up to 2 mtrs
- Thickness: 16mm min
- Finish - AS



M	K
300	512

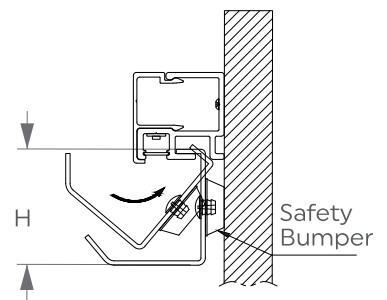


## Kitchen Midway Systems

### Maximise Your Kitchen Space. Get Easy Access To Kitchen Tools!

A new series of Kitchen Midway Systems from Livsmart for the best utilization of splashback area between overhead cabinets and below-the-counter units. They improve efficiency and allow easy access to frequently used kitchen items.

- Unique Anthracite finish blended with natural wood complement every kitchen decor
- Track with LED enhances the ambience of kitchen decor. Recommended to use with power supply unit. (Code: PSU-2425) [Note : Track w/o LED lights also available.]
- Available Track Size: 900 & 1200mm
- Flexible design enables the user to change the combination of racks as per convenience
- Safety Bumpers provided for stability and ensures grip on the wall (restricts unwanted movement)
- Natural wooden panels for greater aesthetic appeal





**Shelf**  
Code: KMS-S (With Wood)



**Shelf with Spice Rack**  
Code: KMS-S-SR-R (With wood)



**Shelf Tall**  
Code: KMS-ST (With Wood)



**Shelf Tall with Gallery**  
Code: KMS-ST-G



**Shelf with Gallery**  
Code: KMS-S-G



**Ladle Rack**  
Code: KMS-LR



**Towel Rack**  
Code: KMS-TR (With Wood)



**Aluminium Track**  
Code: KMS-L-AT (With LED),  
KMS-AT (W/O LED)

Item	Code	H (mm)	Load Capacity	Finish
Kitchen Midway Aluminium Track (without LED) 900mm	KMS-AT	-	20 kg	AT
Kitchen Midway Aluminium Track (with LED) 900mm	KMS-L-AT	-	20 kg	AT
Kitchen Midway Aluminium Track (without LED) 1200mm	KMS-120-AT	-	25 kg	AT
Kitchen Midway Aluminium Track (with LED) 1200mm	KMS-L120-AT	-	25 kg	AT
Kitchen Midway Shelf	KMS-S	157	5 kg	AT (with wood)
Kitchen Midway Shelf with Gallery	KMS-S-G	157	5 kg	AT (with wood)
Kitchen Midway Shelf Tall	KMS-ST	250	5 kg	AT (with wood)
Kitchen Midway Shelf Tall with Gallery	KMS-ST-G	250	5 kg	AT (with wood)
Kitchen Midway Ladle Rack	KMS-LR	40	5 kg	AT
Kitchen Midway Towel Rack	KMS-TR	48	1 kg	AT (with wood)
Kitchen Midway Shelf with Spice Rack – Round	KMS-S-SR-R	150	5 kg	AT (with wood)

## Kitchen Wall Hanging Accessories- SS304

Kitchen Spice Rack



Kitchen Corner Rack



Multi-Purpose Plate Rack



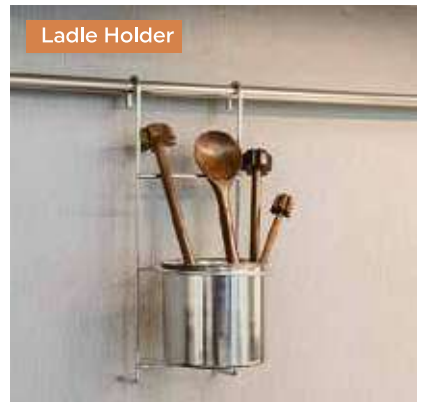
Kitchen Dish Lid Rack



Kitchen Plate Holder



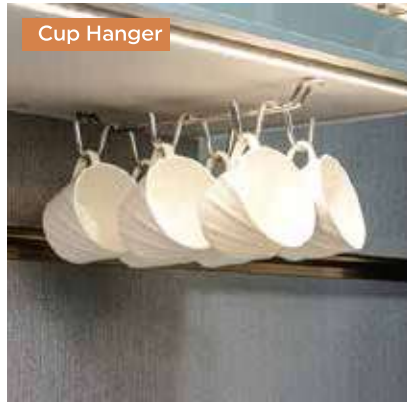
Ladle Holder



Ladle Caddie



Cup Hanger



Hot Plate - Small/Large



Kitchen Glass Hanging Rack



Kitchen Caddie & Hanger



Wine Glass Holder



# KITCHEN PLINTH AND ACCESSORIES



SIZE: 80, 100 & 150mm

FINISH: BL: Black, WH: White, AT: Anthracite, GC: Glossy Chrome, SL: Silver, GR: Grey, BS: Brushed Steel

PVC Skirting Glossy Chrome



Corner Joint 90°



Straight Joint



Flexi Joint



End Joint



Q Plinth with Screw & Skirting Clip



Plinth Fitting – Oval Base



Plinth Fitting – Triangular w/o screw



Plinth Fitting





## Smart Ladder



- Practical step ladders for daily use and greater safety at home
- It can be easily folded down flat allowing it to be stowed away neatly under a work surface or shelf or stacked on the wall
- Non-slip PVC feet ensures grip in all positions & also protects the floor surface from scratches
- Available with one or two steps option with load capacity of 100 Kgs



**Foldable**



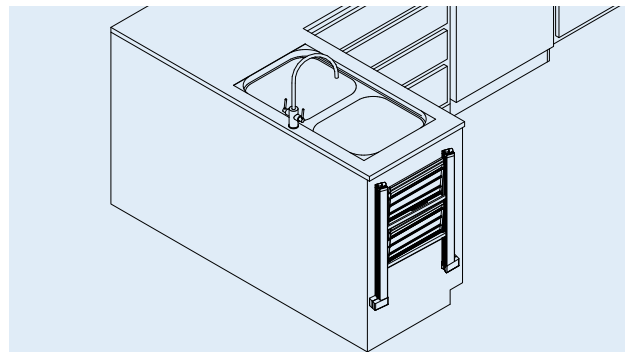
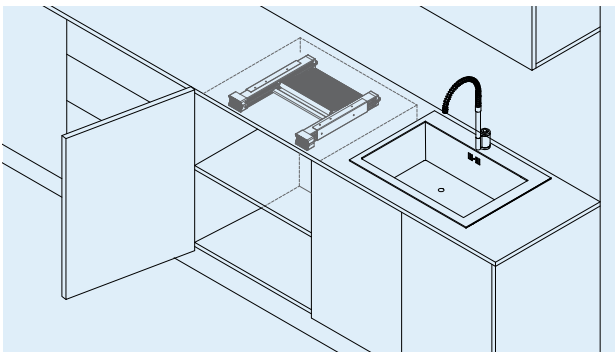
**Anti-Skid Surface**



**Non-Slip Nylon Feet**



**Light Weight Aluminium Sections**



**WASTE SORTING SYSTEMS**



15/20 LTRS

Double

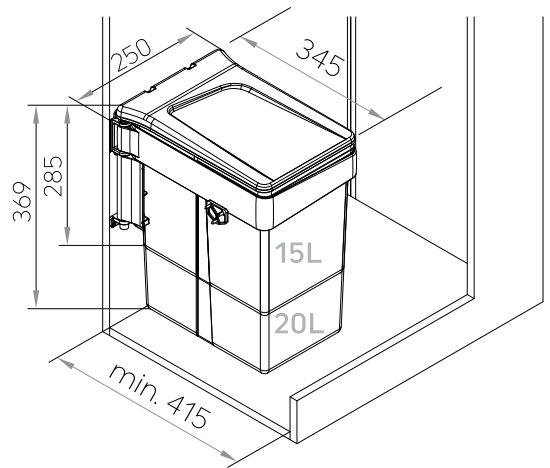


15 LTRS

Single

**Swing Out Waste Bin - Rectangular**

- Aesthetically designed for ultra-modern kitchens
- Compact and flexible as the container can be attached on any shutter or cabinet drawers
- Hassle free & easy removal of containers as per convenience
- Separate compartments for both wet and dry waste management
- Capacity - 1 x 15 Litre (single) & 2 x 7.5 Litre (Double)/2 x 10 Litre (Double)



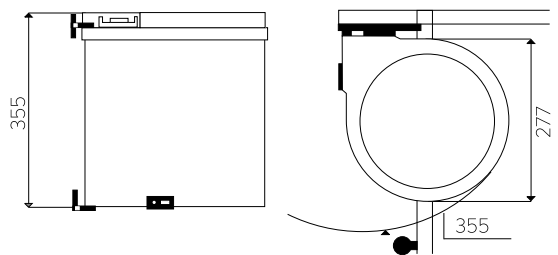
13 LTRS



13 LTRS

Swing out Waste Bin - SS

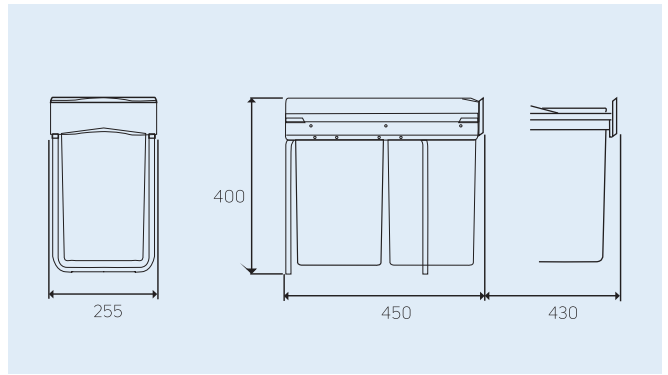
Swing out Waste Bin





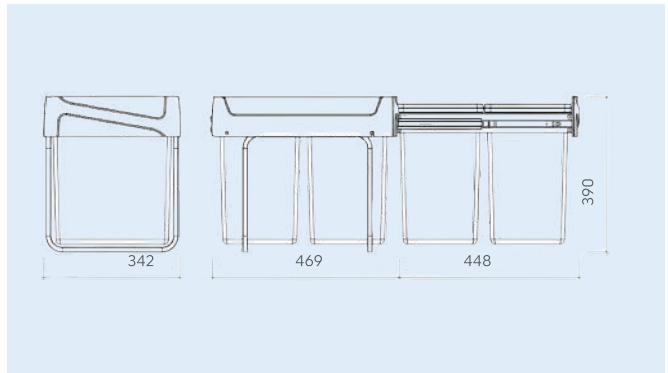
28  
LTRS

**Pullout Double Waste Bin - 28 ltr**



40  
LTRS

**Pullout Waste Bin 40L**



5  
LTRS

**Micro Bin 2**



5  
LTRS

**Utility Bin - Clip on 5**

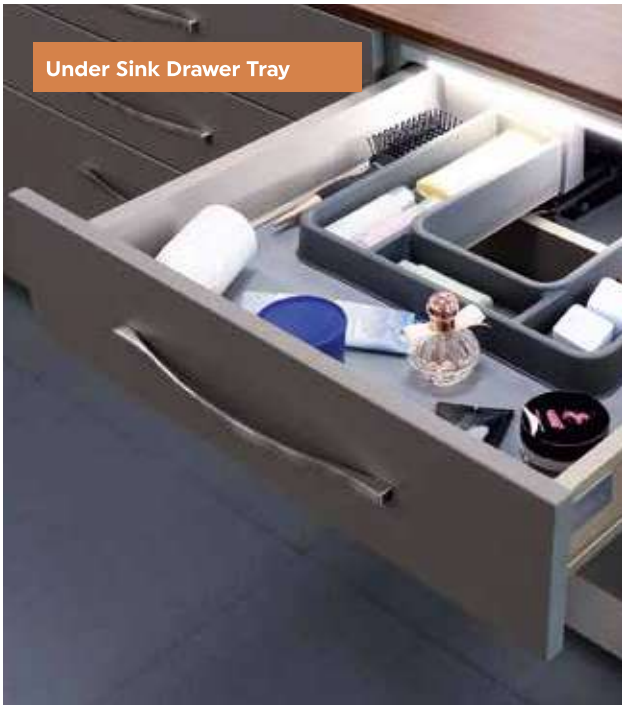


Internal Cabinet  
Dimension  
HEIGHT : 670MM  
WIDTH : 450MM  
DEPTH : 320MM

**Laundry Bin Front Tilt 50**



**Tissue Box Holder**



Under Sink Drawer Tray

- Thoughtfully designed under sink/wash drawer tray, easily transforms false drawers to 'U' shape drawer to fit underneath any sink in kitchen & bathroom
- Unique 'U' shape design avoids the obstruction of under sink pipeline with the drawer
- Helps to utilize the under-sink space to store all your general personal care products or cleaning supplies
- Designed with organizer pockets
- Made for drawers with depth greater than 350mm

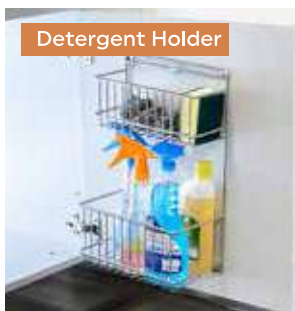


Detergent Pullout Basket SS304

- This Detergent Pullout Basket is ideal for 265mm wide kitchen base cabinets.
- Suited for storing cleaning and other housekeeping items in an organized manner.
- Finish: SS 304



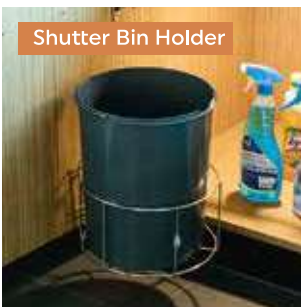
Under Sink Drawer Profile



Detergent Holder



Shutter Bin Basket



Shutter Bin Holder



Sink Drain Basket

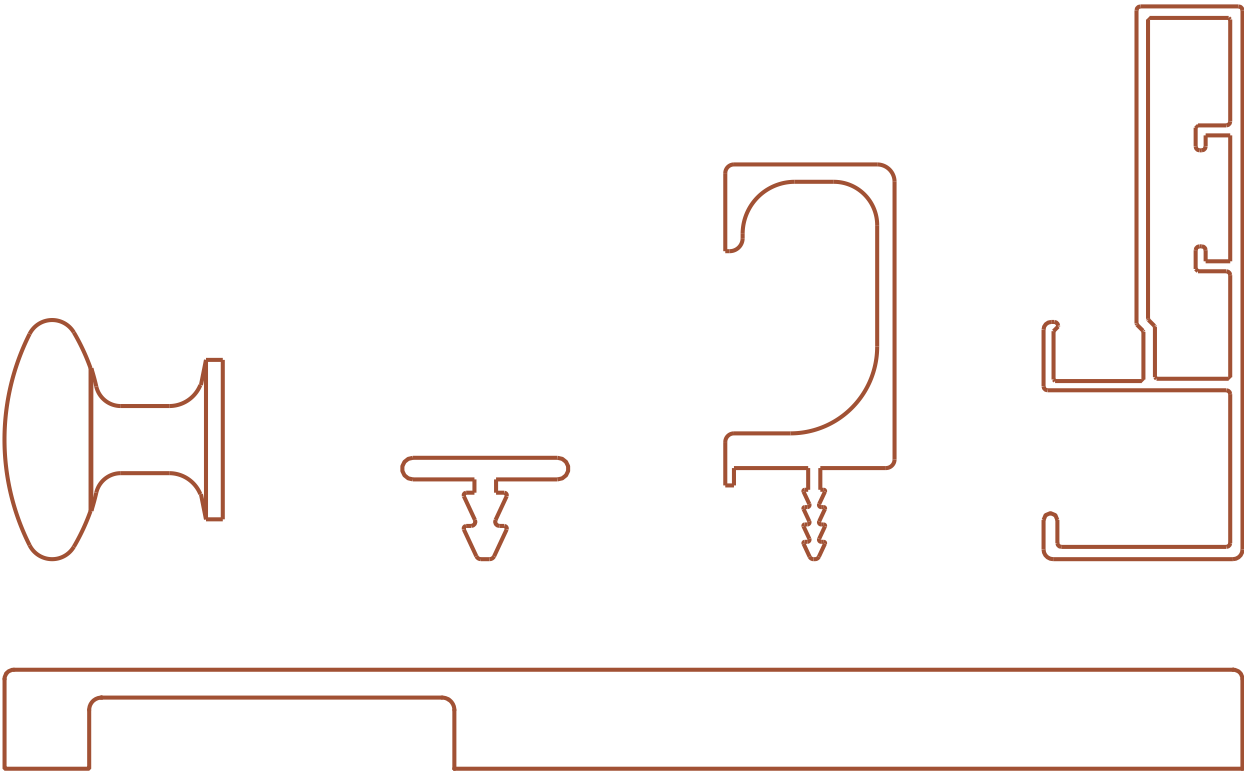


Cylinder Trolley



Under Sink Protector

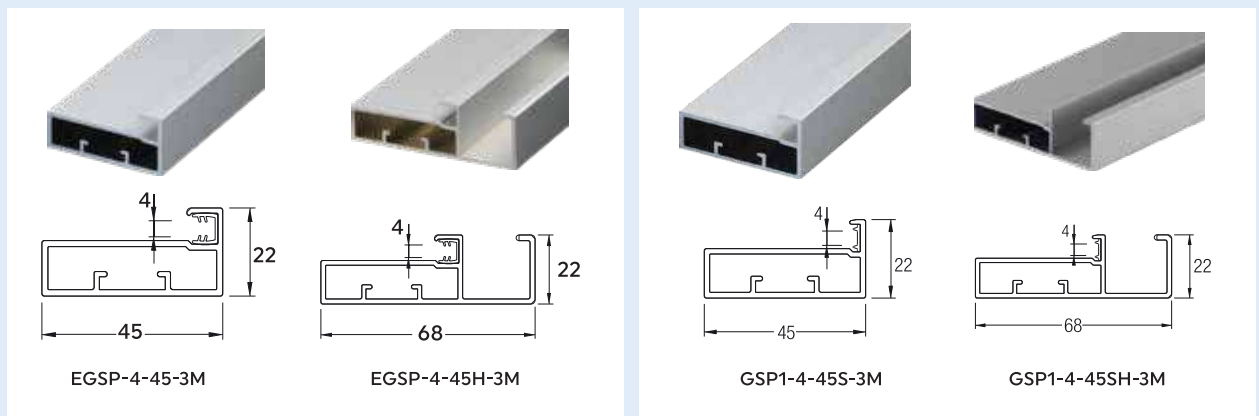
# ALUMINIUM PROFILES & HANDLES





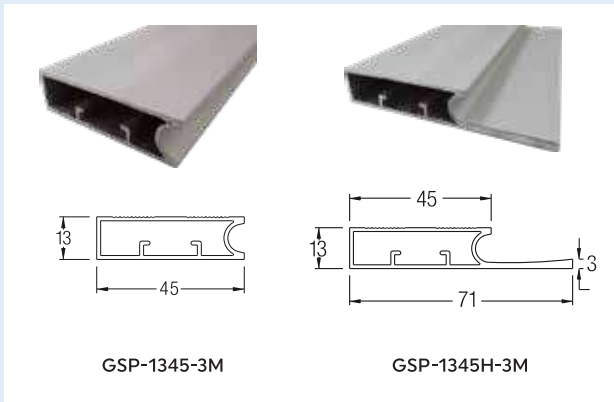
### Al. Profile Glass Shutter

- A wide range of Aluminium Profiles & Handles to choose from that enhances the appearance of kitchen cabinet shutters. Finishes: AS, BL, SF, CP, BA, AG

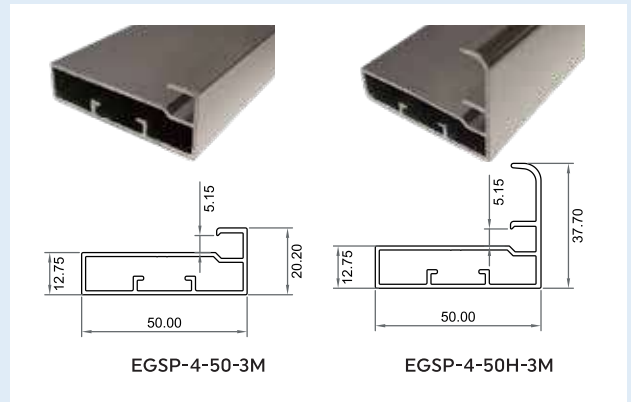


**Al. Profile Glass Shutter Euro 45mm**

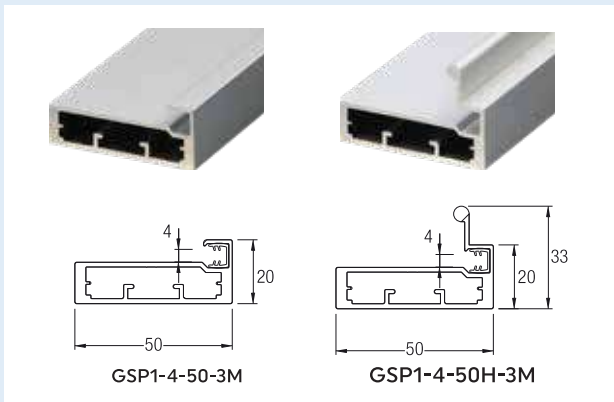
**Al. Profile Glass Shutter 45mm Slim Line**



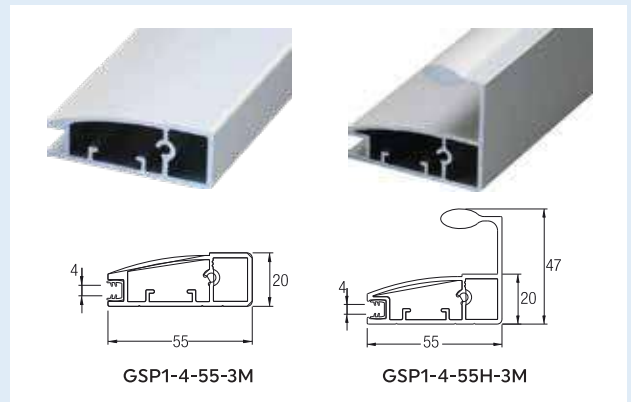
**Al. Profile Glass Shutter 1345**



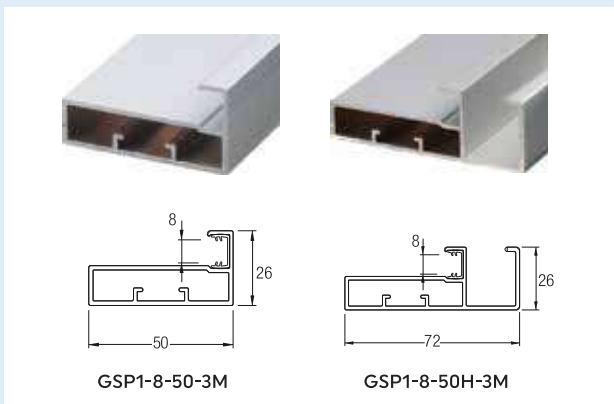
**Al. Profile Glass Shutter Euro 50mm**



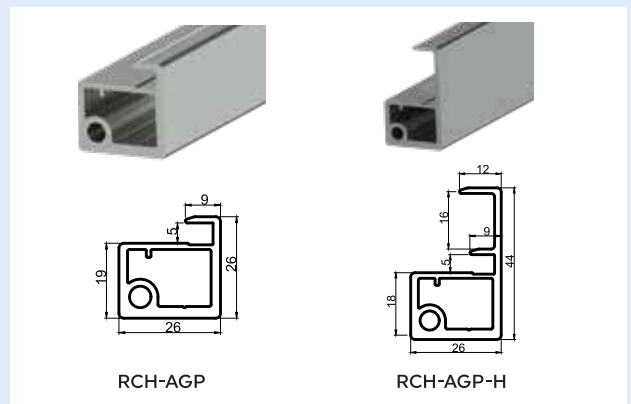
**Al. Profile Glass Shutter 50mm**



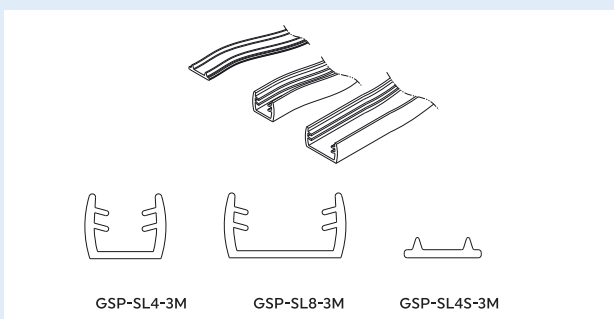
**Al. Profile Glass Shutter 55mm**



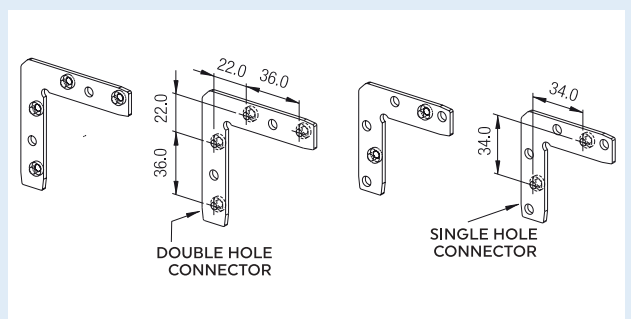
**Al. Profile Glass Shutter 8-50mm**



**Recessed Hinge Profiles**

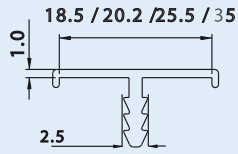


**Sleeve for Al. Profile Glass Shutter**

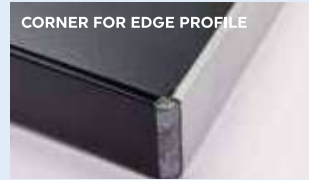


**Corner Brackets for Glass Shutter Profile**

## ALUMINIUM PROFILE EDGE/DECORATIVE

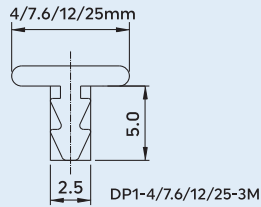


EP1-1901/2201/2501/3501-3M  
 Size: 19, 22, 25, 35 mm  
 Finish: AS, BL, SF, CP, BA, AG



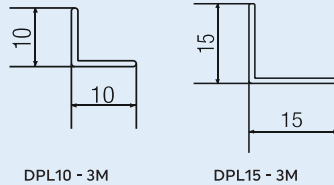
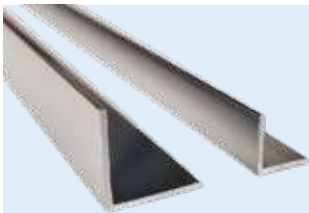
Size: 19 mm  
 Finish: BL, SF, SL

Al. Profile Edge



Size - 4,7,6,12,25mm  
 Finish: AS, BL, CP, BA, SF, AG

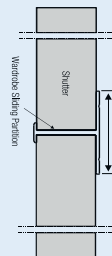
Al. Profile Decorative



Size - 10, 15 mm  
 Finish: AS, CP, BL, SF, AG

Al. Profile Decorative 'L'

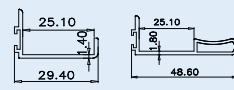
## ALUMINIUM PROFILE EDGE/HANDLE FOR WARDROBE SLIDING



Finish: AS, BL, CP, BA, SF, CH, AG

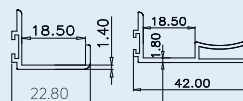
WSP-19-3M/36  
 WSP-25-3M/36

Al. Profile for Wardrobe Sliding Partition 19/25 mm



Finish: AS, BL, CP, BA, SF, CH, AG

WS-E25-3M/36 WS-H25-3M/36

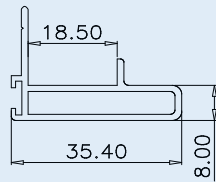


WS-E19-3M/36 WS-H19-3M/36

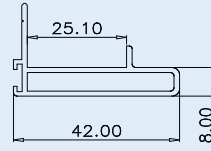
Al. Profile Edge/Handle for Wardrobe Sliding 19/25mm



# ALUMINIUM PROFILE EDGE/HANDLE FOR WARDROBE SLIDING



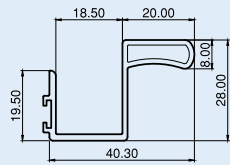
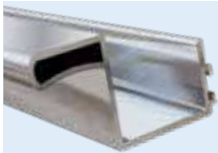
WS2-H19-3M/36



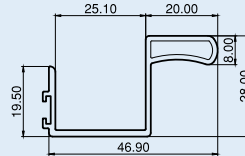
WS2-H25-3M/36

Size: 19/25mm  
Finish: AS, BL, CP, SF

## Al. Profile Handle for Wardrobe Sliding 2 - 19/25 mm



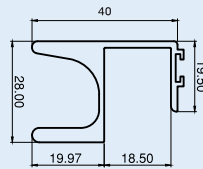
WEP-19HI-3M



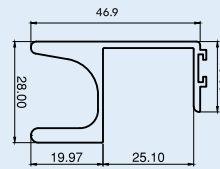
WEP-25HI-3M

Size: 19/25mm  
Finish: AS, BA, SF, CP, CH

## 19/25 mm Wardrobe Edge Profile with Inset Handle



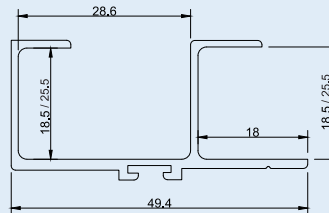
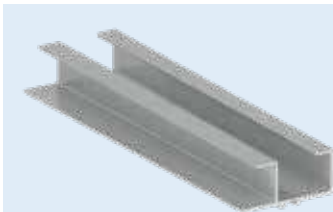
WEP-19HI-2-3M



WEP-25HI-2-3M

Size: 19/25mm  
Finish: AS, BA, CP, CH, SF, AG

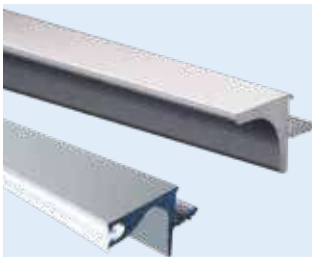
## 19/25 mm Wardrobe Edge Profile with Inset Handle 2



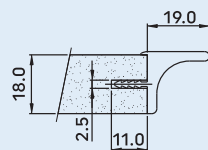
WEP-19HI-3/WEP-25HI-3

Size: 19/25mm  
Finish: AS, TN, CP, SF

## 19/25mm Wardrobe Edge Profile with Inset Handle 3

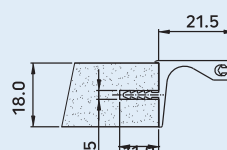


Al. Profile Cabinet Edge



EP-1819-L-3M

Al. Profile Cabinet Edge with bumper

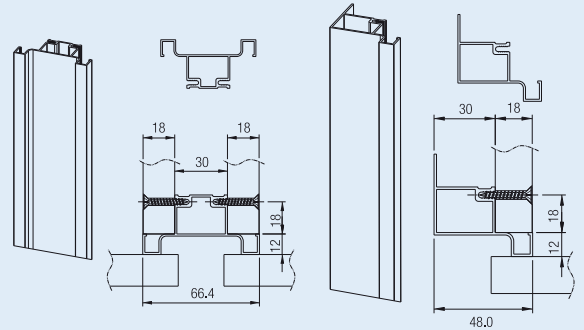


EP-1822-L-3M

Size - 19 / 22 mm  
Finish: AS, SF, CP, AT, WH

## Al. Profile Cabinet Edge/Al. Profile Cabinet Edge with Bumper

# GOLA PROFILES & ACCESSORIES

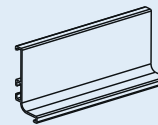
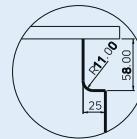


Vertical Gola Profile C

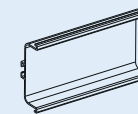
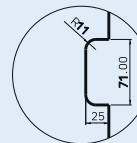
Vertical Gola Profile L

AS/CP/SF/WM/AT

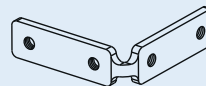
## Vertical Gola Profile



Horizontal Gola 3 L



Horizontal Gola 3 C



Mounting Bracket

AS/WM/AT/BL

## Horizontal Gola Profile

- These gola profiles (vertical & horizontal) are ideal for handle-less furniture applications
- Vertical gola profile L & C is suitable for tall units like larder pull-out in kitchen, wardrobe shutters, etc.
- Horizontal gola profile 3L & 3C is ideal for upper and lower drawer's application

## EDGE PROFILE HANDLES

EPH1-SF, BA, CP



Edge Profile Handle 1

EPH2-SF



Edge Profile Handle 2

EPH5-AC, AS



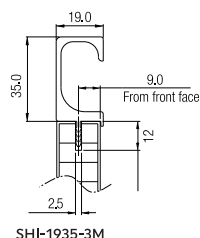
Edge Profile Handle 5

EPH-25-3M/EPH-18-3M  
Finish: AS, SF, CP, BA, AG



Edge Profile Handle 18/25mm

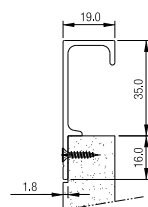
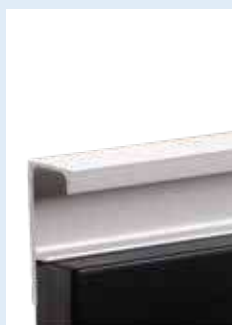
## ALUMINIUM PROFILE SHUTTER HANDLES



SHI-1935-3M

Finish: AS, CP, SF, BA, AG, BL

Al. Profile Shutter Handle - 1935 with End Cap



SHST-1935-3M

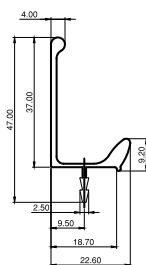
Finish: AS, CP, SF, BA

Al. Profile Shutter Handle - 1935 ST



SH-1937-H-3M

Finish: AS, CP, BA, SF, BL, AG

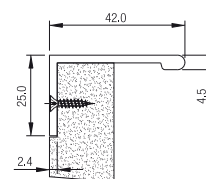


Al. Profile Shutter Handle 1937



SEH-442-3M

Finish: AS, CP, SF



Shutter Edge Handle - 442

# RECESSED & ALUMINIUM HANDLES

Shutter Handle Square  
- Aluminium 3012  
Finish: AS, AC



Shutter Handle Round  
- Aluminium 3012  
Finish: AS, AC



Shutter Handle  
- Aluminium 3512  
Finish: AS



Size (W X L): 62 X 150/225mm  
Cut-out (W X L): 51 X 120/195mm  
Finish: AS, BA, SF

**Aluminium Shutter Grill Micro**



Finish: BL, SL, WH

**Recessed Handle - 90mm**



Size (W X L): 62 X 150/225/300/450mm  
Cut-out (W X L): 51 X 120/195/270/420mm  
Finish: WM, SF, AT, AS, BA

**Al. Shutter Grills**



Finish: BL, SL, WH

**Recessed Handle - Steel Furniture**

Concealed Hook Handle  
Finish: CP



Recessed Spring Loaded Handle  
Handle: RSLH  
Finish: NB, BL



Recessed Handle Square  
Finish: CP, BA



# ALUMINIUM HANDLES & KNOBS



Al Handle – BAH  
Finish - SF



Aluminium Handle CAH  
Finish: SF, BA



Al Handle - C3AH  
Finish - AB



Al. Handle – C4AH  
Finish - SF, CP, AB, BA



Al. Handle – C5AH  
Finish – AB



Al.Handle – D3AH  
Finish – AB



Al Handle – GAH  
Finish - SL, SF



Al Handle – IAH  
Finish - SL, SF, BA



Al. Handle – LAH  
Finish – SF



Al Handle – RAH  
Finish – SF, BA



Al Handle – RDAH  
Finish – SF



Al Handle – SQAH  
Finish – SF



Al Handle – SRAH  
Finish - AC



Al Handle – YAH  
Finish - AS, SF, BA, CP, AB



Al Knob – KNB-11  
Finish - SF



Al Knob – KNB-32  
Finish - SF



ZINC HANDLES AND KNOBS



Zinc Handle AZH  
Finish: NB



Zinc Handle BZHS  
Finish: NB



Zinc Handle CZH  
Finish: NB



Zinc Handle DZH  
Finish: NB



Zinc Handle EZH  
Finish: NB



Zinc Handle FZH  
Finish: CP



Zinc Handle GZH  
Finish: BL, CP, NB



Zinc Handle HZH  
Finish: CP



Zinc Handle IZH  
Finish: CP, NB



Zinc Handle JZH  
Finish: CP, NB



Zinc Handle KZH  
Finish: BS



Zinc Handle LZH  
Finish: BS, AB



Zinc Handle - M  
Finish: AT, CP, MN



Zinc Knob - AZK  
Finish: BL, CP, NB



Zinc Knob - BZK  
Finish: BL, CP, NB



Zinc Knob CZK1 & CZK2  
Finish: CP



Zinc Knob DZK1 & DZK2  
Finish: CP



DESIGNER / KIDS  
FURNITURE HANDLES



DHP3 BL



DHP1 FR



DHP2 FR



DHP4 CP



DHP5 CP



KFH-A-SL



KFH-A-CP



KFH-B-CL



KFH-B PK



KFH-C-CL



KFH-D-OR



KFH-E-RD



KFH-F-YL



KFH-G-WH



KFH-H-AU



KFH-I-OR



KFH-J-OR



KFH-K-SL



KFH-K PK



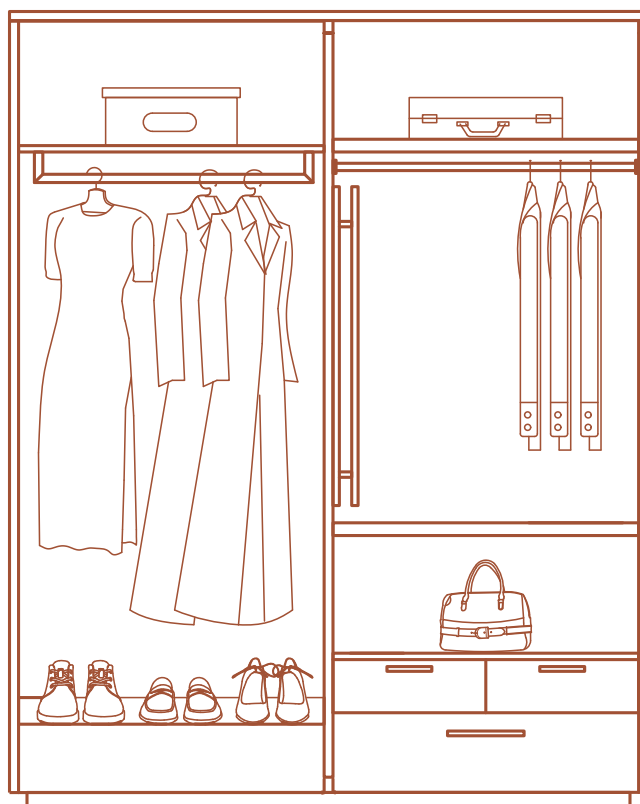
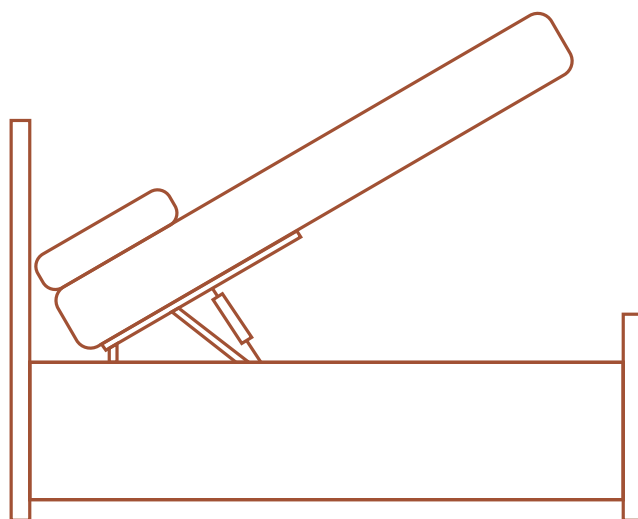
KFH-L PK



KFH-M PK



# BED & WARDROBE FITTINGS & ACCESSORIES



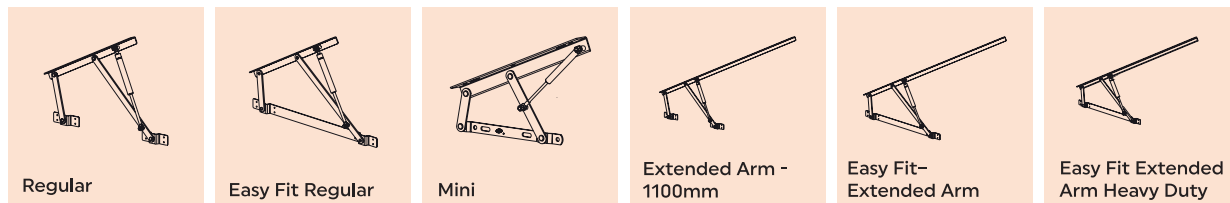




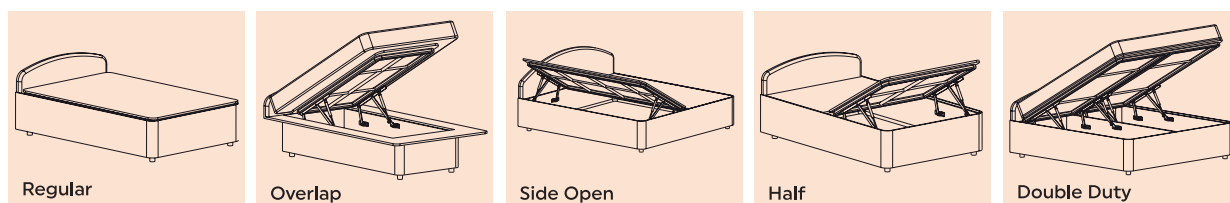
## Pro-Lift Bed Fittings

- Pro-Lift Bed Fittings is a smart, convenient and novel way for storage inside the bed
- This bed fittings gives clear access to the storage with 30° opening angle as the gas lift keeps bed top stay
- Wide range of Pro-Lift bed fitting mechanism from load capacity 500N to 1500 (for regular beds) and 1750 to 2000N (for heavy duty beds)
- Separate Mounting Screw Kit M6 & M8 (Set of screw, nuts and washers) available for Pro-Lift Bed Fittings

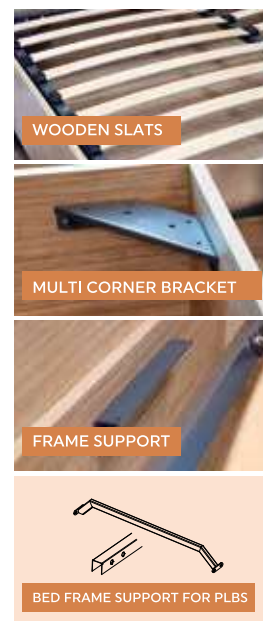
### Range includes



### Different types of applications



## Pro-Lift Bed System



The new Pro-Lift Bed System consists of high quality lift mechanism, modular metal frame with slats along with ready to mount kit. High quality wooden slats for strength, stability & comfort. The light weight frames ensure a long life. Available for bed top size: 1830 x 2000mm & 1525 x 2000mm. Recommended bed internal size: 1862mm (W) x 2024mm (L) & 1557mm (W) x 2024mm (L) respectively.

## Pro-Lift Flat Bed Fitting



- Pro-lift Flat Bed Fittings is ideal for storing blankets, pillows, mattresses, or books just underneath your bed
- Its parallel and straight lift condition helps you to make your bed ready without bending your body posture
- Gives clear access to the storage with 30° opening angle as the gas lift keeps bed top stay
- Recommended Bed Size: Width - 6 feet, Length - 6 to 6.5 feet

## Pro-Lift Electric Bed Fitting - Heavy



- This new electric bed lift with remote control is a smart and novel way to help with storage inside the bed
- Opening angle in excess of 30° allows easy access
- Electric motor easily meets the lifting requirements desired eliminating all manual effort
- Motor capacity: 6000N
- Recommended minimum bottom thickness 18mm
- Available in two variants - Wireless Remote Controller and Switch Control (with built-in USB charger)
- Recommended Bed Size: Width - 5 to 6 feet, Length - 6 to 6.5 feet



Bed Fittings Arm & Electric Motor

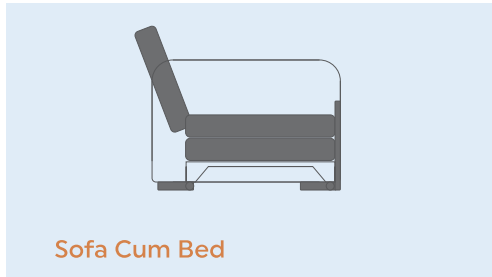


Remote

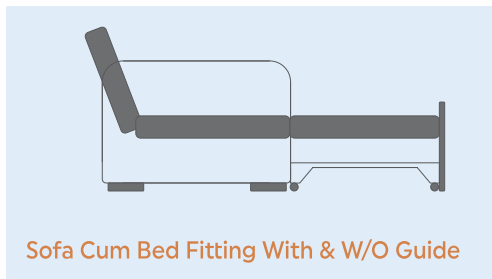


Switch Controller

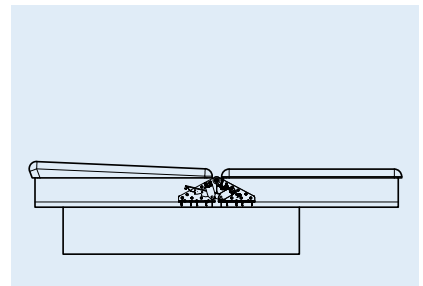
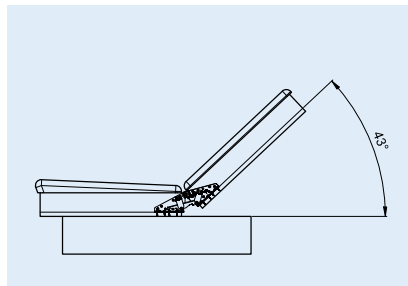
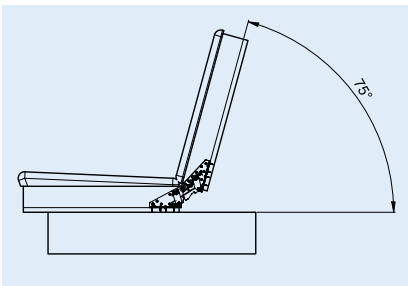
## Pro Lift Sofa Bed Fitting



- Durable and easy to fit
- It converts a sofa into a bed
- Sliding frame not required
- Min. depth: 845mm, Width: 5-6ft



## Sofa Cum Bed Fitting Click/Click 2/Click 3



- Specially designed Sofa cum bed fitting click mechanism that converts your sofa in to bed or bed cum recliner as required.
- Sturdy and easy to operate.
- Max. Back Rest & Max. Seat Size: 600 x 1830mm
- Finish: Black (Click), Zinc Plated Yellow (Click 2 & Click 3)

## BED FITTINGS & ACCESSORIES



- Hidden bed on the wall.
- Ideal for compact rooms, children's room, hostels, etc.
- This space saving solution comes in complete set of bed frame with slats, Wall Bed Mechanism (1200N) & folding legs
- Bed gets concealed in wall cabinet when not in use.

### Dimensions:

- Bed Frame Size: 2000 x 850mm
- Mattress Size: 2000 x 900mm
- Mattress Weight: 14kg (6 inch THK), 18kg (8 inch THK)
- Overall Size of Bed with Carcass: 1,010mm (W) X 2,085mm (H) Considering 25mm panels
- Recommended bed internal size: 960mm (W) x 2035mm (H)

### Wall Bed Single



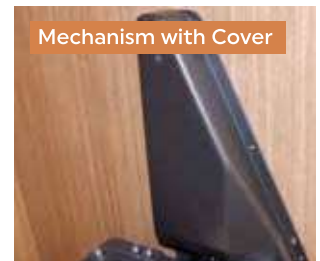
Slat Base (53 X 8.5mm)



Bed Frame (40 x 30mm)

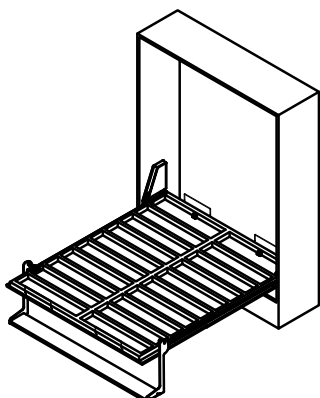


Folding Legs (Height: 300mm)

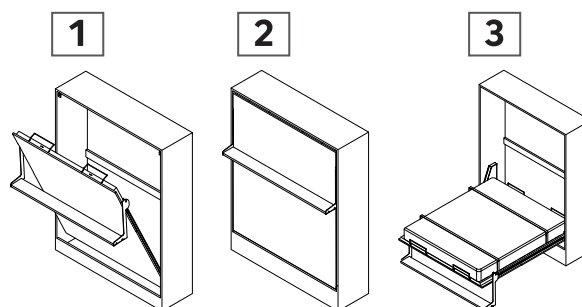


Mechanism with Cover

### Wall Bed Double



### Opening phase of Wall Bed Double



- This space-saving solution comes in the complete set of bed frame with slats, wall bed mechanism (1500N) & folding legs
- The bed gets concealed in the wall cabinet when not in use & legs fold automatically when closed
- Bed Frame Size: 2000 x 1525mm
- Overall Size of Bed with Carcass: 1670mm (W) X 2330mm (H) X 420mm (D) Considering 25mm panels



### Wall Bed Fittings - Vertical

- Recommended Bed Size: 5x6 feet



### Wall Bed Fittings - Horizontal

- Recommended Bed Size: 6x4 feet



### Foldable Bed

(Design Appln. No. 338601/02-001)

- Ready to use roll away bed that can be folded and stored easily inside the cabinet, slide away beneath bed or in to a closet when not in use
- Ideal into use as extra bed for guests at home, hotels, hostels or any other indoor use
- Compact, portable and space savvy
- No installation required, just expand to use
- Size in Open Position: 1970 (L) x 760 (W) x 410 (H)
- Size in Close Position: 730 (L) x 760 (W) x 410 (H)
- Finish: AT
- Code: FEB1

## Bed Frame with Slats (with Bed Crossbar Support)



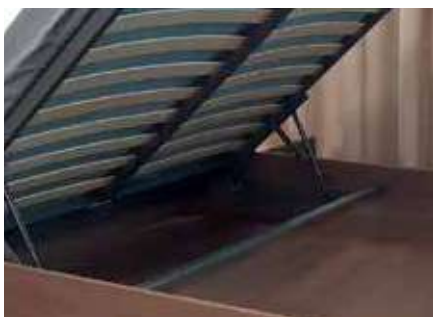
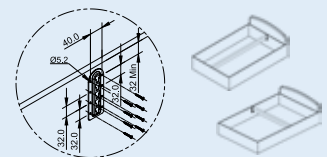
- Bed frame with slats & crossbar provides a support to mattress.
- Available sizes: 1525x2000mm/1830x2000mm

## ACCESSORIES FOR BED & SOFA



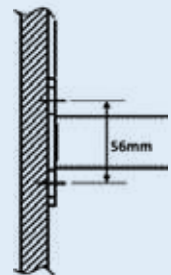
### Bed Crossbar Clamp

- Solution for Bed Central Support
- Easy to mount & use with flexible height adjustment
- System 32 compatible
- Load Capacity - Gross 200 kg/set
- Available in Zinc Plated Yellow finish
- Code: BCC1



### Bed Crossbar Telescopic

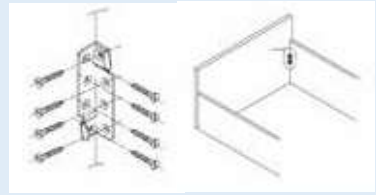
- An ideal solution to provide support to the center zone of the bed
- The cross-rail support to be lengthened or shortened to support different bed sizes
- Adjusts in width from 850 - 1400mm/ 1400 - 1900mm to accommodate as per different bed sizes
- Can be retrofitted in an existing bedframe
- Finish: Anthracite
- Code: BC - BT1/2





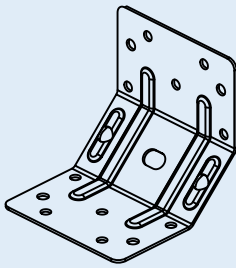
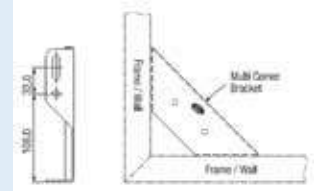
### Bed Clamp

- Clips easily in to each other forming a strong joint
- Requires four joints to form a bed frame
- Size: BC4(95mm/4"), BC6(150mm/6")
- Load per set: 1200 Kgs
- Available in Zinc Plated Yellow finish



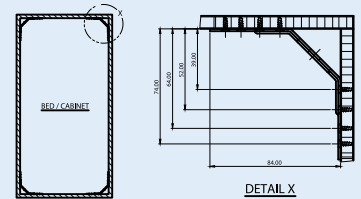
### Multi Corner Bracket

- Designed for strength & right angle
- To be used at 4 corners of bed
- Size: 165x165x35mm
- Available in Black, Anthracite, White Matt finish
- Code: MCB7



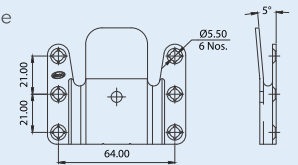
### Utility Corner Bracket

- Ideal for right angle & corner joints
- To be used at 4 corners of bed
- Size: 84x84mm
- Available in Zinc Plated White finish
- Code: UCB84



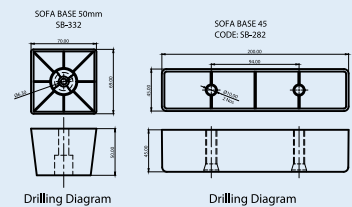
### Sofa Connector

- Specially designed sofa connectors to connect sofa & chaise
- Load capacity: 150 Kgs
- Can use in multiples for bigger size of furniture
- Compatible with Ebco Chipboard Screw (CBS-4025)
- Available in Zinc Plated Yellow finish
- Code: SOC1



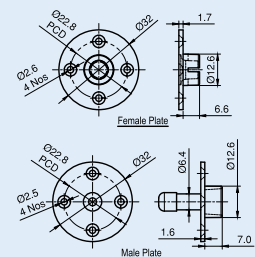
### Sofa Base

- Easy to mount foot base for sofas and cabinets
- Size: SB332(70x70x45mm), SB333(70x70x75mm), SB282(45x200x45mm), SB283 (45x200x75mm)
- Finish - Brown & Chrome Plated



### Panel Catch

- Ideal for joining multiple panel installations
- Use in multiple sets for bigger panels
- Easy installation & designed for good strength
- Applicable for upholstered panels, headboards, acoustic upholstered wall, etc.
- Size: Ø32X25.5mm
- Code: PNCT1





# LIVSMART CUBE CONCEPT



Room Size : 10" x 10" (100 Sq.ft)

## #SpaceMatters Make every inch count.

Space. It appears that you have only so much. But wait, think again. What if you could do so much more with it? What if that spare room can have a bed, a sofa, and a workstation? Sleep, lounge, work, or study all in the same room.

For small spaces, you need big ideas and the right selection of multi-functional furniture that work on smart fittings.

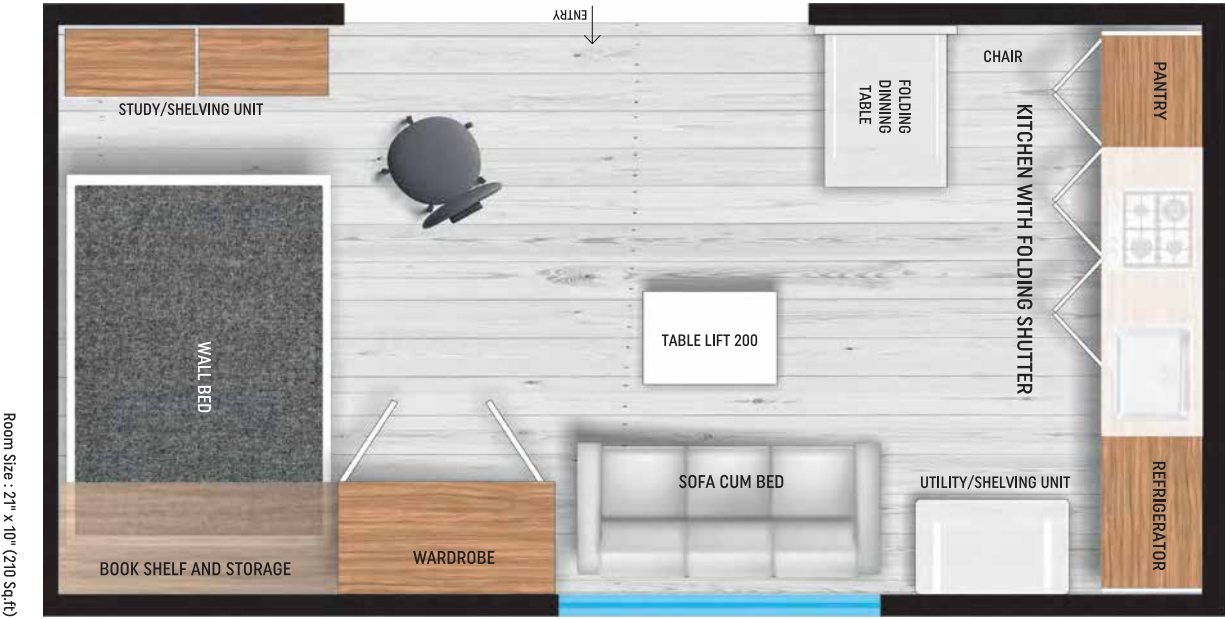


Scan this QR code to watch the Livsmart Cube concept in action.



TOP VIEW

Room Size : 12" x 8" (96 Sq.ft)





SOFT  
OPEN &  
CLOSE

80  
KGS

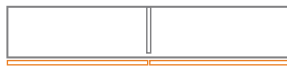
2/3  
DOORS

## HI SLIDES WARDROBE SLIDING SYSTEMS

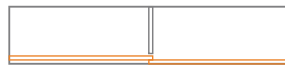
### TYPES OF SLIDING SYSTEMS



Overlay



Inline



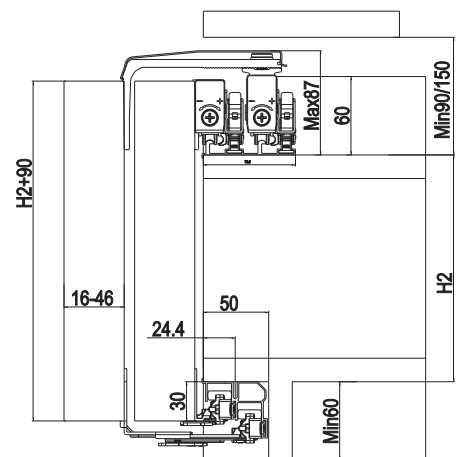
Inset



Walk-In

### Hi Slide Topper 16-46

- Specially designed mechanism which is top and bottom mounted, providing clear and easy access
- Ideal for 2 & 3 overlay top running shutters
- For wardrobes with extra-large shutters with effortless opening and sliding
- Soft closing & soft opening function allows the shutter to close in slow motion without banging
- Max Height: 2400mm
- Door Width: 700-1500mm
- Max. weight per door - 80 kgs
- Thickness of door ranging from 16mm to 46mm



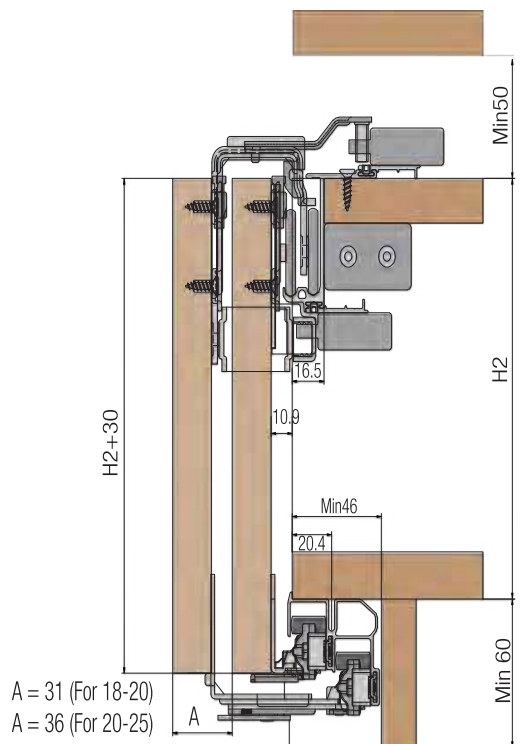


## Hi Slide Topper 18-20/20-25

- Two models for specific door thickness ranging from 18-20/20-25
- Economical and compact system that is ideal for bulk volume production with the best sliding mechanism
- Max Height: 2400mm
- Door Width: 700-1500mm
- Maximum weight per door - 50 kg
- Gives 100% clearance to cabinet once opened for internal drawers to be pulled out
- Effortless and quiet sliding system with soft close, soft opening function and superior rolling system



Scan to view Carcass Construction Details for Hi Slides





80  
KGS

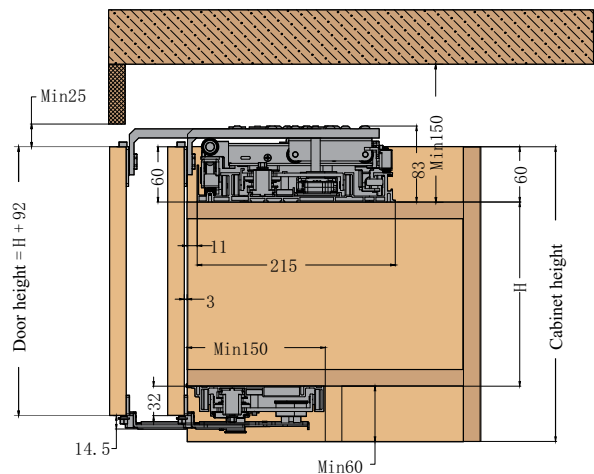
2  
DOORS

SOFT  
OPEN &  
CLOSE

## HI SLIDES WARDROBE SLIDING SYSTEMS

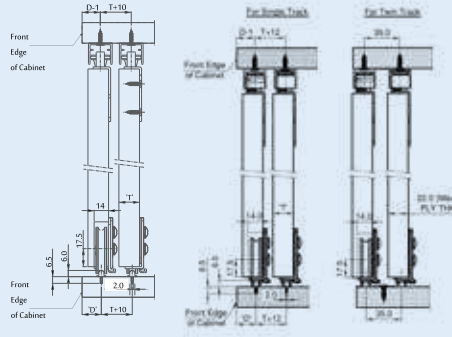
### Hi Slide Inline Euro-80

- Doors Inline after closing leaving no gaps.
- Extremely smooth movement and quiet movement.
- Soft Open & Soft Close for both doors.
- Max. Wardrobe Inner Width - 2850mm (2 doors).
- Max. Door Thickness - 45mm (including handle).
- Max Weight per Door - 80kgs.





**Hi Slide 90/90 (Soft Close)**



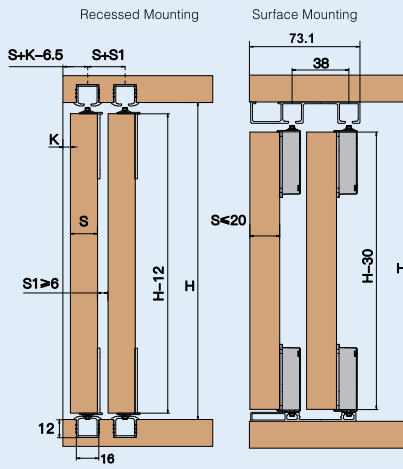
Hi Slide 90

Hi Slide 90 (Soft Close)

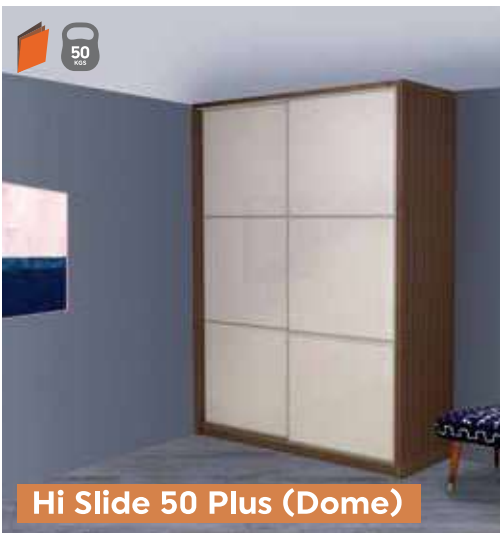
- Door Thickness: 18-35mm (for single track) 22mm (Twin track)
- Door Width & Height: Max Width & Height of Shutter can be extended until Max weight Load capacity/Shutter is maintained.
- Load Capacity: 90 Kgs



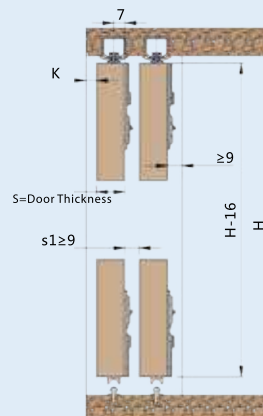
**Hi Slide 50 Reversible (Soft Close)**



- Door Thickness: 18-30mm
- Door Width: Min. 300 - Max. 1200mm
- Door Height: Max. 2400mm
- Load Capacity: 50 Kgs



**Hi Slide 50 Plus (Dome)**

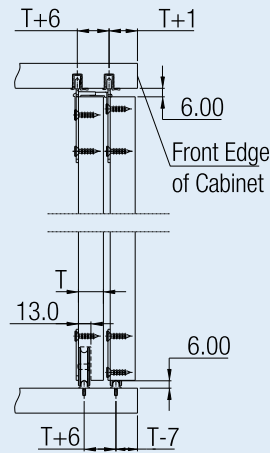


- Door Thickness: 18-30mm
- Door Width: Min. 500 - Max. 1200mm
- Door Height: Max. 2400mm
- Load Capacity: 50 Kgs

# HI SLIDES WARDROBE SLIDING SYSTEMS



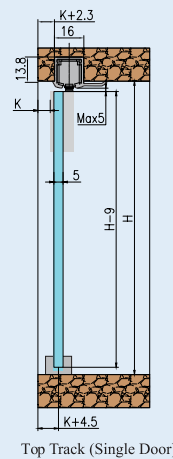
**Hi Slide 45 Regular/Dome**



- Door Thickness: 18-30mm
- Door Width & Height: Max Width & Height of Shutter can be extended until Max weight Load capacity/Shutter is maintained
- Load Capacity: 45 Kgs



**Hi Slide Glass Display 15**

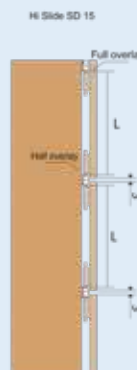


Top Track (Single Door)

- Door Thickness: 5mm
- Door Width: 500 - 1200mm
- Door Height: Max Height of Shutter can be extended until Max weight Load capacity/Shutter is maintained
- Load Capacity: 15 Kgs



**Hi Slide SD 15**

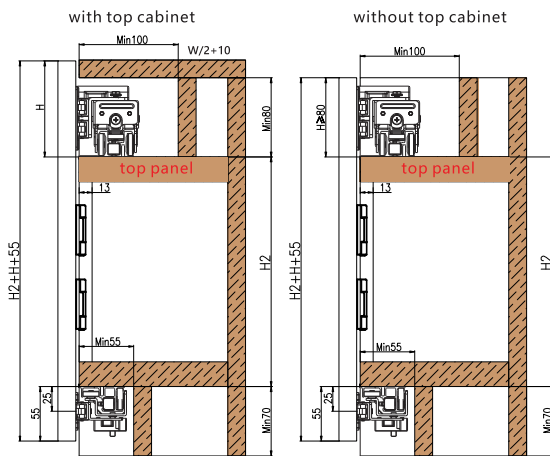


- Door Thickness: 18-25mm
- Door Width: Min. 500 - Max. 1200mm
- Door Height: Max. 2400mm
- Load Capacity: 15 Kgs

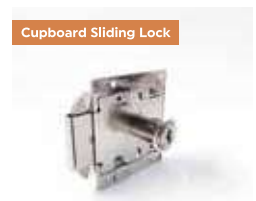
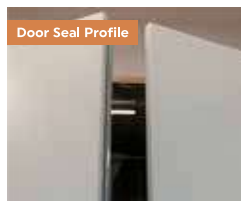
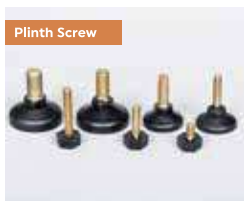


## Hi Slide and Fold 20-25

- Ergonomically designed for sliding folding shutters with soft close, soft opening function and superior rolling system
- Single door loading capacity: 20-25kgs
- Single door width: 300-600mm
- Single door thickness:  $\geq 16$ mm
- Door Height:  $\leq 2500$ mm
- Door Thickness:  $\geq 16$ mm
- Door Width: 300-600mm



## Wardrobe Accessories





## Hi Slide Walk-in Sliding Systems



Get a walk-in wardrobe with Ebco's Pole Shelving System! Light yet strong, these systems have a unique design and functionality, allowing you to create additional space and storage, with easy and quick installation. With a choice of open and closed fittings and units, you can custom fit your bedroom with the perfect wardrobe!

### Features :

- Floor to ceiling sliding system which are light (to use build 9mm panels), effortless silent sliding has soft close, soft open feature
- Modular and highly flexible in terms of design, to use multiple panels of wood or glass to suit the décor
- Superior design with 2-way soft close ensures high strength & smooth functioning
- Quick & hassle free installation
- Available in 6 different colour profiles



**Mounting Screw for Walk-in Sliding System**  
Code: HSWSS-ST640-NP

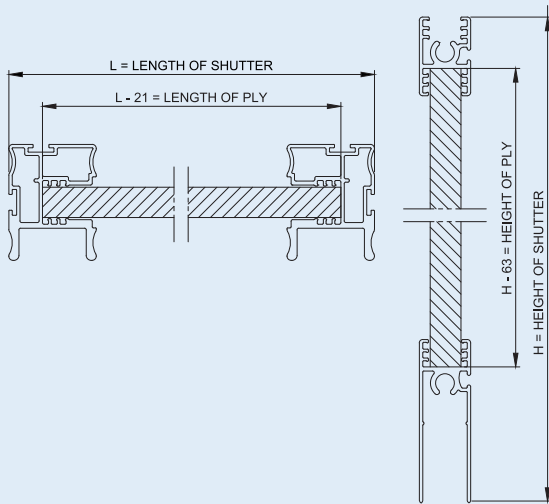


**Walk-in Sliding Lock**  
Code: P-WSL 1-NP

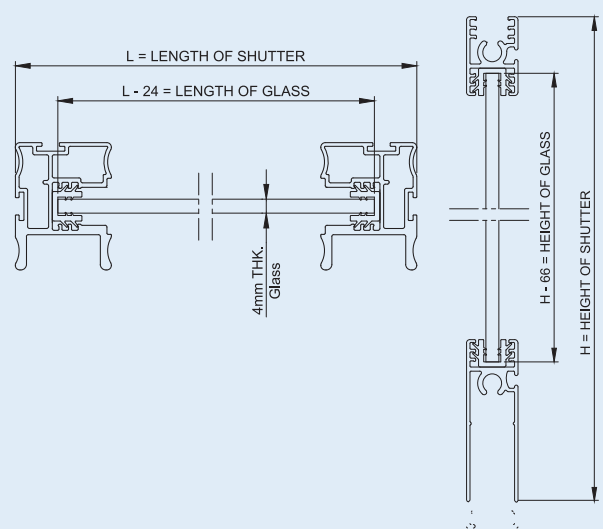


# Hi Slide Walk-in Sliding Systems

HSWSS Shutter Size Calculation  
(Wooden Door Application)



HSWSS Shutter Size Calculation  
(Glass Door Application)



## Hi Slide - Twin

- For Sliding Shutters & Bi - parting doors
- Top Running Twin Wheel Design
- Min Door Thickness: 25mm
- Load Capacity - 120 Kgs

# Pole Shelving System (Walk in Wardrobe Application)



Aluminium Section



10 Nos.

Height Adjustable Plinth



10 Nos.

End Connector Set



10 Nos.

Right Angle Connector



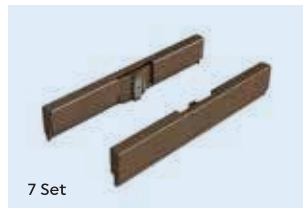
25 Set

Big Shelf Support



4 Set

Adjustable Glass Shelf Support



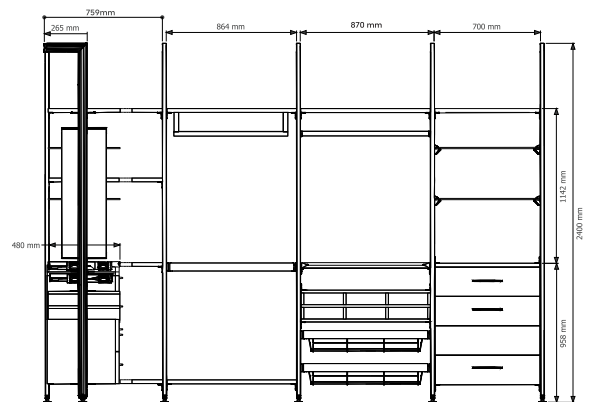
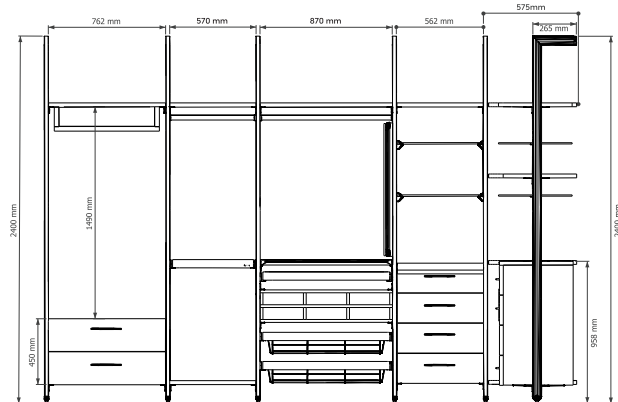
7 Set

Concealed Slide Adaptors



3 Set

Rectangular Rail Support



# Pole Shelving System (Walk in Wardrobe Application)

**STUDY/WORK FROM HOME**



**BATHROOM**



**LIVING ROOM**



**BEDROOM**



**RETAIL**

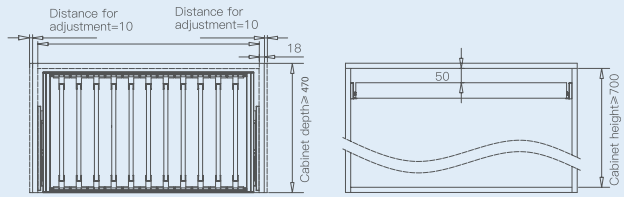


# Wardrobe Fittings & Accessories

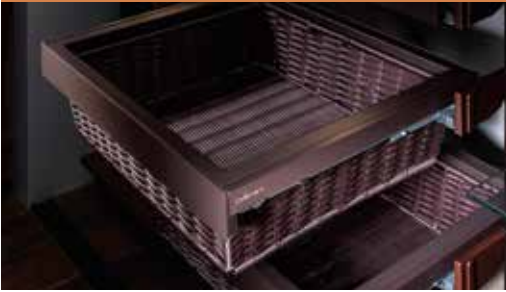
**Wardrobe Pull-out - Trouser/Saree (Soft Close)**



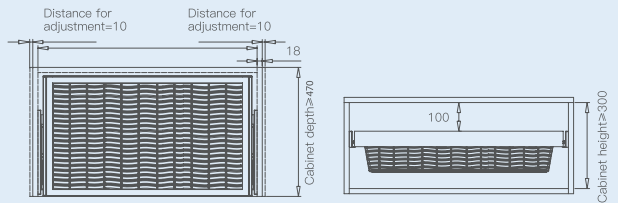
Size - Width: 414, 564 & 864mm, Depth: 470mm, Height: 56mm



**Wardrobe Pull-out Basket Wicker (Soft Close)**



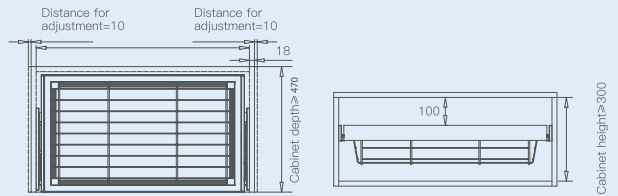
Size - Width: 414, 564 & 864mm, Depth: 470mm, Height: 140mm



**Wardrobe Pull-out Basket (Soft Close)**



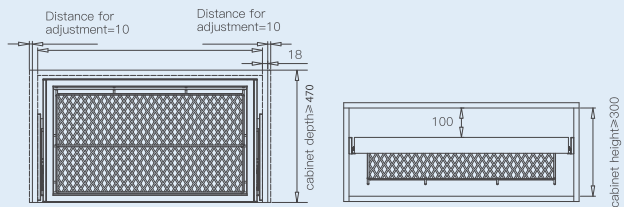
Size - Width: 414, 564 & 864mm, Depth: 470mm, Height: 140mm



**Wardrobe Pull-out Shoe Rack (Soft Close)**



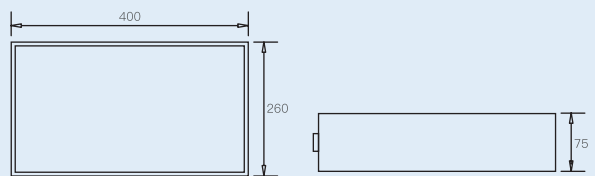
Size - Width: 564 & 864mm, Depth: 470mm, Height: 56mm



**Wardrobe Cabinet Tray**



Size: 400x260x75mm



## Wardrobe Drawer Organiser 2



### Features:

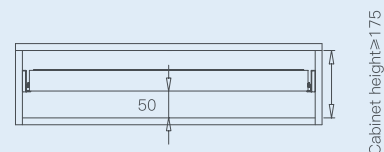
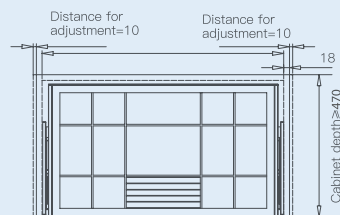
- Rearrange your valuables as desired with these multipurpose divider organisers
- Can be easily added to a finished wardrobe and moved around to suit your needs
- Ideal for storing multiple items such as jewelry, watches, bangles, or other accessories
- Dimension: Length (425mm), Width(165mm), Height (50mm)



## Wardrobe Pull-out Drawer Organiser (Soft Close)



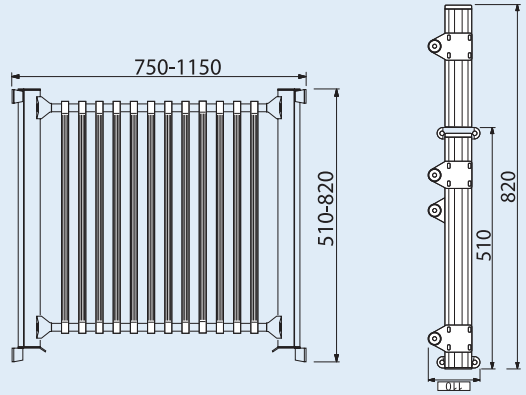
Size - Width: 414, 564 & 864mm  
Depth: 470mm



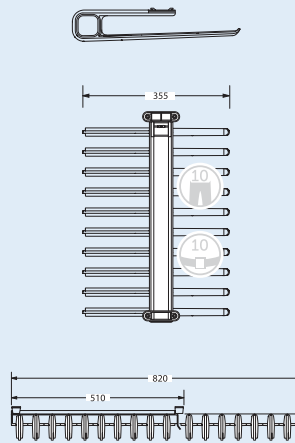
# WARDROBE PULL-OUTS



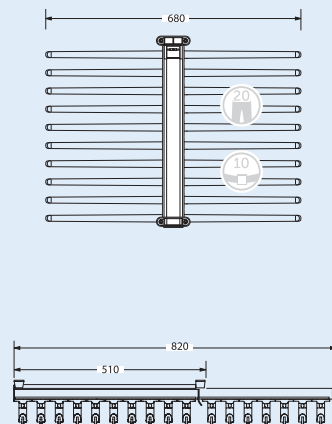
Wardrobe Rack - Trouser/Saree  
(6+6 Hangers) Cabinet Width: 800-1200mm



Wardrobe Pull-out Hanger - Trouser/Saree  
Single Cabinet Width: 450 mm



Wardrobe Pull-out Hanger - Trouser/Saree  
Double Cabinet Width: 750mm

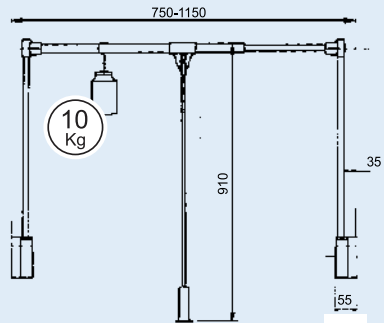




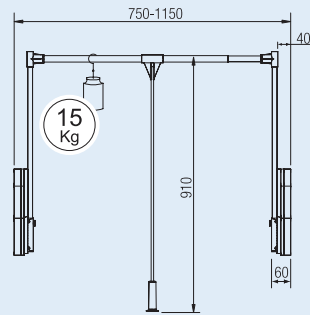
# WARDROBE LIFTS



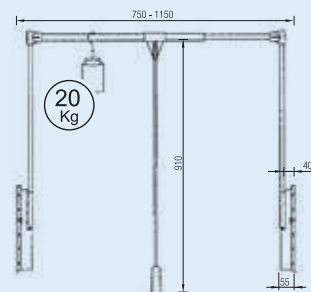
Wardrobe Lift Side Mount-10 Soft  
Cabinet Width: 750-1150mm Finish: Grey



Wardrobe Lift Side Mount-15 Cabinet-  
Width: 750-1150mm Finish: Brown & Grey



Wardrobe Super Lift Flexi-20  
Cabinet Width: 750-1150mm Finish: Grey



## Pull-out Basket for Wardrobe

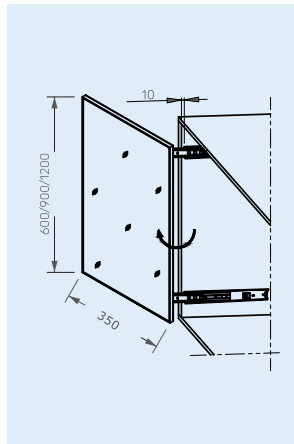


- Easy to use.
- Special plastic brackets are designed to fit basket onto slide.
- Available in 6 sizes.
- Manufactured out of SS202.
- Recommended to use with Zipco Telescopic Drawer Slide (Code: 2/1/STDS45 ZW)

### Cabinet Internal Dimensions (mm)

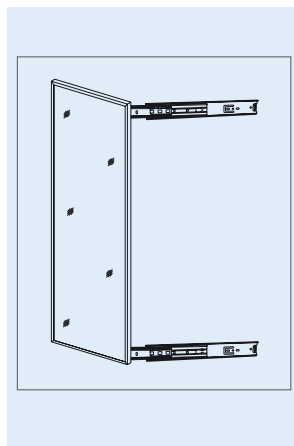
Width	Depth	Height
390/440/540	450	150/200

## Mirror Pull-out (Frameless)



- Elegant and minimalistic mirror that can be pulled out from a wardrobe and stowed away when not in use
- Space saving solution that eliminates the need of a separate dressing table
- Suitable for wardrobes with folding/sliding doors, 180° opening shutters, walk in wardrobes, etc.
- Can be pulled out and rotated by 90°
- Minimum width required for rotation is 230mm

## Wardrobe Mirror Pullout



- Available in with and without frameless options
- Size:  
Mirror Pull-out (Frameless): 600/900/1200mm  
Wardrobe Mirror Pullout: 1200mm

## Wardrobe Drawer Organisers



- These new multi-purpose divider organisers come with various options for storage
- Can easily be added to a finished wardrobe and moved around to suit your needs
- These dividers are available for storing ornaments, watches, bangles, or others

## Make-up Drawer Tray & Container Set



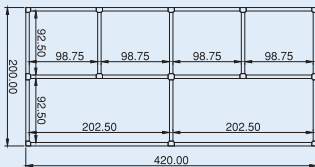
- Thoughtfully designed make-up drawer kit for your wardrobe/dressing unit
- Each grid can be equipped with a small tray, cosmetic holder, and small boxes with lid
- Ideal to contain brushes, eyeshadows, and other Make-up accessories
- Cosmetic holder ideal for arranging lipsticks, eye-pencils, and nail lacquers
- Handy small box with a lid to organize hair clips, jewels, and any other small accessories
- Minimum drawer depth required 450mm

# DRAWER PARTITION FOR WARDROBE

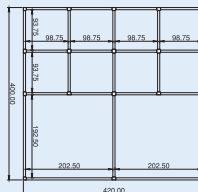


- Organize drawers as desired with flexible drawer partitions
- Available in Do It Yourself (DIY) kit & fun to assemble
- It can be easily positioned on the side or in the middle of drawer with any combination of your choice
- Ideal for storing multiple items such as jewelry, watches, other accessories, etc.
- Recommended to use with anti-skid mat by Livsmart
- Partition Height: 60mm
- Finish: Mocha

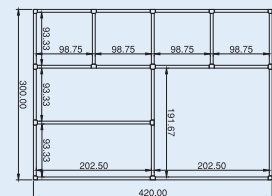
DPW 2042



DPW 4042



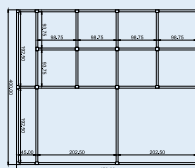
DPW 3042



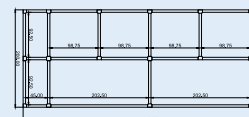
DPW 3047



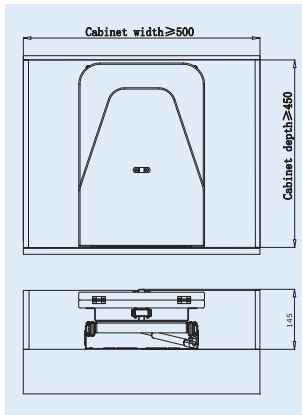
DPW 4047



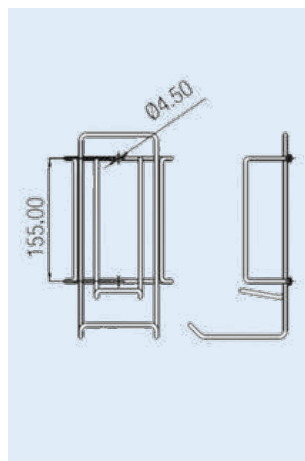
DPW 2047



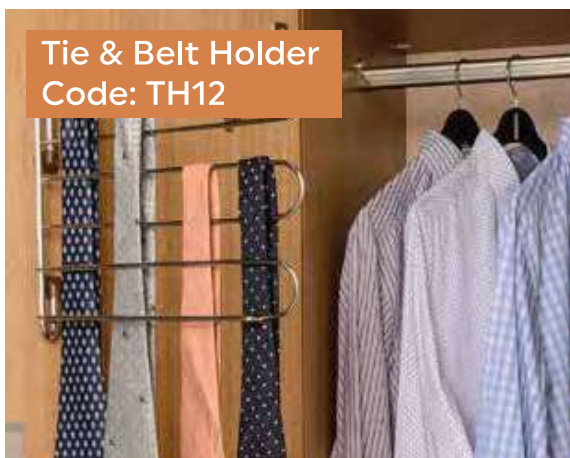
## Wardrobe Pull-out Ironing Board



- Aesthetically designed, space saving ironing board which slides in the wardrobe easily.
- Practical in use and can be fitted on any shelf.
- Easy to use in standing position as the board can be easily rotated to 180° for left and right hand side positions.
- Folds in half and slides in for easy storage.

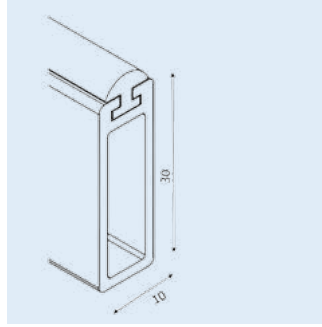


- Simple and elegant in appearance.
- Ideal for storing Iron Box on Wall.
- Cables can be wound up in the lower compartment.
- Easy to fit.
- Made out of SS304.

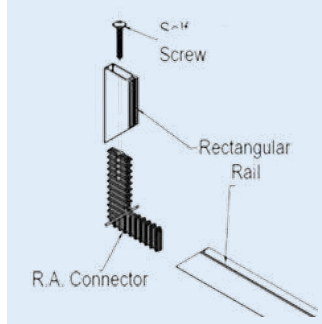


- Elegantly designed.
- Made out of SS304.
- Easy to use and fits in the inside of any cupboard.
- Special Clip provided to prevent the movement of Holder.
- Also available with nickel plated die cast brackets.

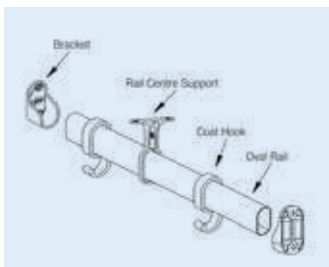
## Wardrobe Rail Fittings (Rectangular)



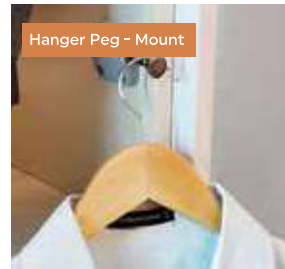
- Rectangular wardrobe rail support are die cast for strength and long life.
- Easy to fit and compatible with a special Ebco aluminium rectangular rail.



## Wardrobe Rail Fittings (Oval)

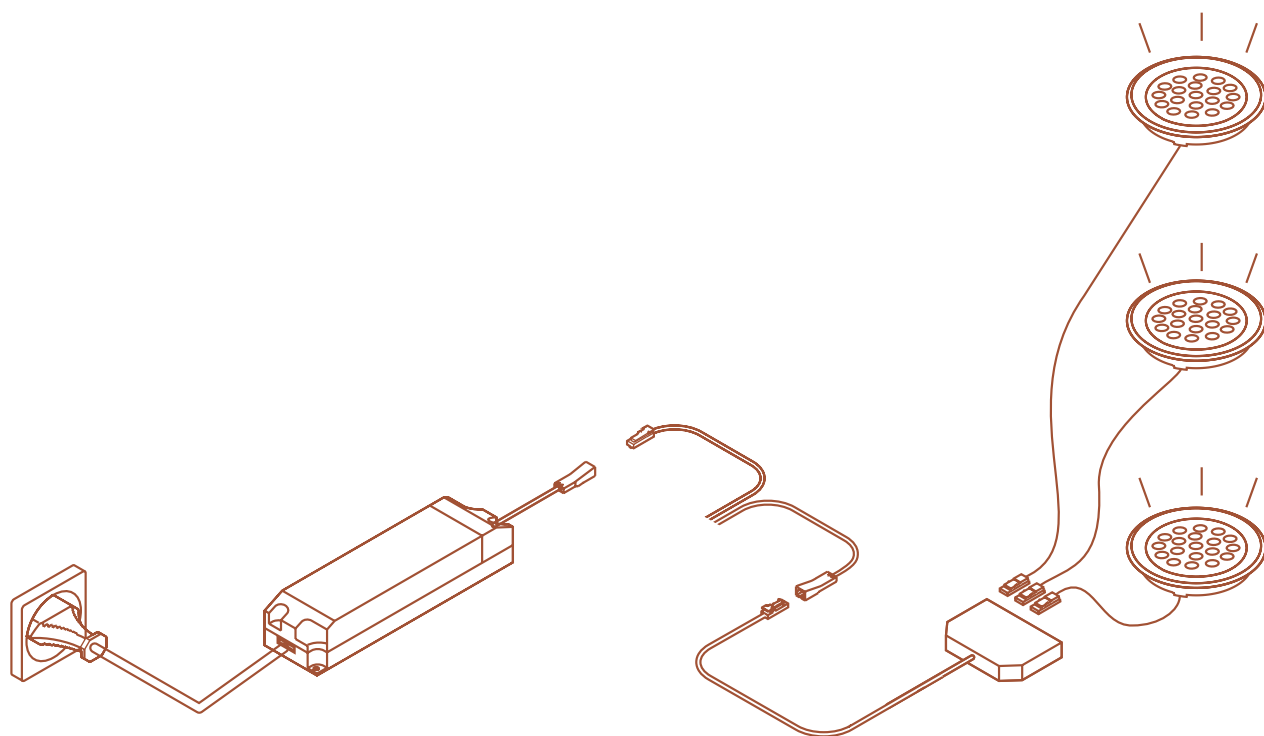


- These oval wardrobe rail supports are die cast for strength and long life.
- Easy to fit and compatible with a special oval rail.



- Space-saving utility product that can be easily fitted in wardrobes.
- Ideal solution for hanging coats, scarfs, handbags, hat, ties, etc.

# FURNITURE LIGHTS - LED



# LED LIGHTING

- Energy saving, Highly Efficient and Sustainable - LED lights are much more efficient than other lights. For the same light emission, they consume up to 90% less power than incandescent lights. LEDs have minimum impact on the environment as they do not emit harmful UV rays
- Colour Temperature Flexibility - LEDs produce the entire range of visible light, improves the natural colour & appearance of your space and products
- Virtually no heat emission



BIS Certification

## WHY FURNITURE LIGHTS?

Furniture requires low power consuming and low heat generating lighting in order to maximize usability. High heat generation can damage furniture or the products stored or displayed. Low power consumption or low heat generation are important in cabinets in kitchens, offices, wardrobes, retail displays, etc. Light design should be compact, minimalist, dimensionally compatible with board thickness as well as aesthetically compatible with furniture on the whole. In addition, lights should subtly highlight products on display or compliment lit spaces. CRI 85+ is ideal for interior ambient lighting & furniture lighting.

## COLOR TEMPERATURE

Daylight colour temperature changes from very low to very high values over the day.

Light Color	Acronym	Temperature
Cool White	CW	5000K-6000K
Neutral White	NW	3000K-5000K
Warm White	WW	1000K-3000K



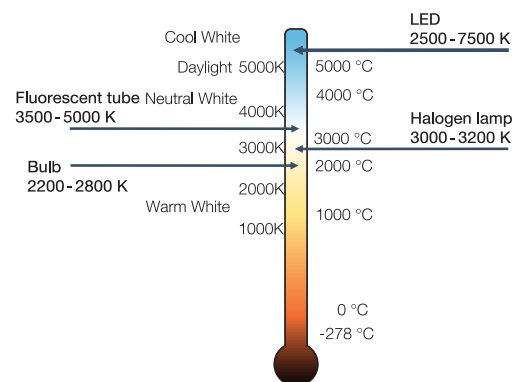
Morning - 3000K



High Noon - 6500K



Sunset - 1500K

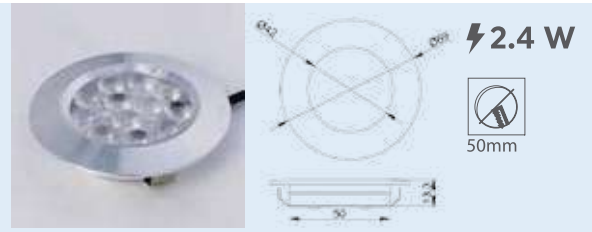




## SPOT LIGHTS - 24 V



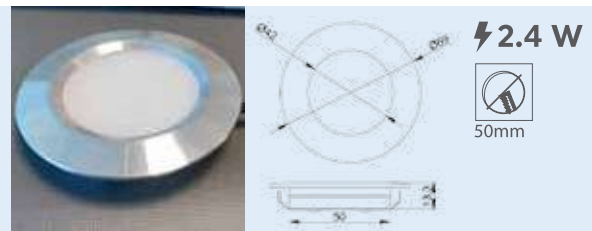
**Spot Bright Regular (Recessed Mount)**



ITEM	CODE	SPECIFICATION	FINISH
Spot Bright Regular (Recessed Mount)	S-BRRR-NW	Ø69x13.3mm, CCT:4000K, LED:12N	Anodised Silver/Black



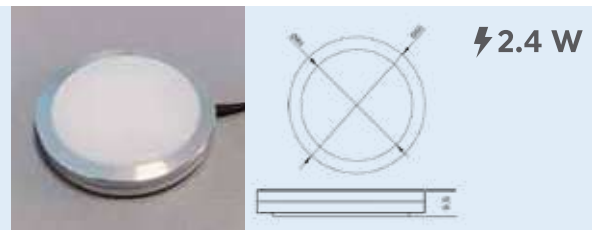
**Spot Bright Diffused (Recessed Mount)**



ITEM	CODE	SPECIFICATION	FINISH
Spot Bright Diffused (Recessed Mount)	S-BRDR-NW	Ø69x13.3mm, CCT:4000K, LED:12N	Anodised Silver/Black



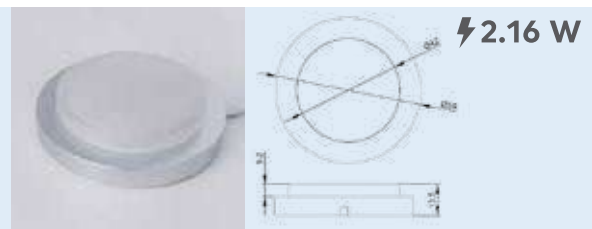
**Spot Diffused (Surface Mount)**



ITEM	CODE	SPECIFICATION	FINISH
Spot Diffused (Surface Mount)	S-SDS-NW	Ø60x9.5mm, CCT:4000K, LED:12N	Anodised Silver

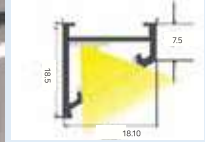


**Spot Diffused - 2 (Magnetic - Surface Mount)**



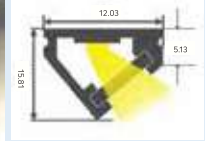
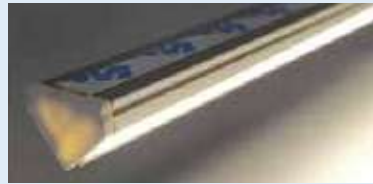
ITEM	CODE	SPECIFICATION	FINISH
Spot Diffused - 2 (Magnetic-Surface mount)	S-SD2SM-NW	Ø59x13.5mm, CCT:4000K, LED:18N	Anodised Silver

## LINEAR LIGHTS SERIES 2 - 24 V



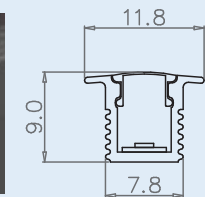
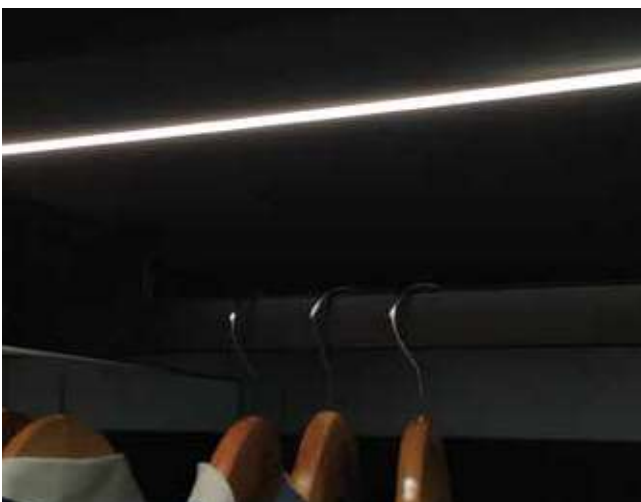
ITEM	CODE	SPECIFICATION	FINISH
Linear Slim 5 for Drawer - Door Trigger IR Sensor (Surface/Side Mount)	L-LS5IRS-412-NW	14.4W/mtr, 412mm, 120N/mtr	Anodised Silver
	L-LS5IRS-562-NW	14.4W/mtr, 562mm, 120N/mtr	Anodised Silver
	L-LS5IRS-862-NW	14.4W/mtr, 862mm, 120N/mtr	Anodised Silver

### Linear Slim 5 for Drawer - Door Trigger IR Sensor (Surface/Side Mount)



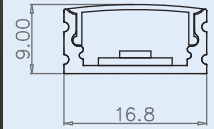
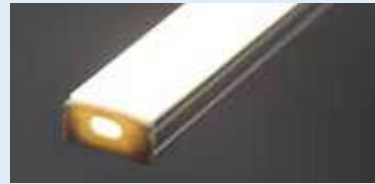
ITEM	CODE	SPECIFICATION	FINISH
Linear Slim 6 - for Cabinets (Surface Mount)	L-LS6S-412-NW	14.4W/mtr, 412mm, 120N/mtr	Anodised Silver
	L-LS6S-562-NW	14.4W/mtr, 562mm, 120N/mtr	Anodised Silver
	L-LS6S-762-NW	14.4W/mtr, 762mm, 120N/mtr	Anodised Silver
	L-LS6S-862-NW	14.4W/mtr, 862mm, 120N/mtr	Anodised Silver
	L-LS6S-962-NW	14.4W/mtr, 962mm, 120N/mtr	Anodised Silver
	L-LS6S-1162-NW	14.4W/mtr, 1162mm, 120N/mtr	Anodised Silver

### Linear Slim 6 - for Cabinets (Surface Mount)



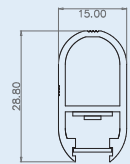
ITEM	CODE	SPECIFICATION	FINISH
Linear Recess 9mm	L-LR9-412	11.52W/mtr, 412mm, 144N/mtr	Anodised Silver
	L-LR9-562	11.52W/mtr, 562mm, 144N/mtr	Anodised Silver
	L-LR9-862	11.52W/mtr, 862mm, 144N/mtr	Anodised Silver

### Linear Recess 9mm



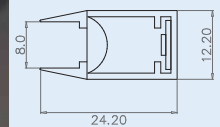
ITEM	CODE	SPECIFICATION	FINISH
Linear Slim 8mm	L-LRS8-412	14.4W/mtr, 412mm, 120N/mtr	Anodised Silver
	L-LRS8-562	14.4W/mtr, 562mm, 120N/mtr	Anodised Silver
	L-LRS8-862	14.4W/mtr, 862mm, 120N/mtr	Anodised Silver

**Linear Slim 8mm**



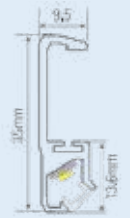
ITEM	CODE	SPECIFICATION	FINISH
Linear Wardrobe Oval	L-LWO-412	14.4W/mtr, 409mm, 120N/mtr	Anodised Silver
	L-LWO-562	14.4W/mtr, 559mm, 120N/mtr	Anodised Silver
	L-LWO-862	14.4W/mtr, 859mm, 120N/mtr	Anodised Silver

**Linear Wardrobe Oval**



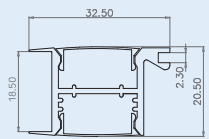
ITEM	CODE	SPECIFICATION	FINISH
Linear 2 Way Glass 8mm	L-L2G8-412	14.4W/mtr, 412mm, 120N/mtr	Anodised Silver
	L-L2G8-562	14.4W/mtr, 562mm, 120N/mtr	Anodised Silver
	L-L2G8-862	14.4W/mtr, 862mm, 120N/mtr	Anodised Silver

**Linear 2 Way Glass 8mm**



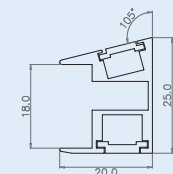
ITEM	CODE	SPECIFICATION	FINISH
Linear Shelf Edge (Edge Mount)	L-LSE18-412-NW	11.52W/mtr, 412mm, 144N/mtr	Anodised Silver
	L-LSE18-562-NW	11.52W/mtr, 562mm, 144N/mtr	Anodised Silver
	L-LSE18-862-NW	11.52W/mtr, 862mm, 144N/mtr	Anodised Silver

**Linear Shelf Edge (Edge Mount)**



ITEM	CODE	SPECIFICATION	FINISH
Linear 2 Way 18mm - H with Hand Shake Sensor (for Cabinet Shelf Edge Handle)	L-L218H-412	7.2WX2/mtr, 412mm, 120N/mtr	Anodised Silver
	L-L218H-562	7.2WX2/mtr, 562mm, 120N/mtr	Anodised Silver
	L-L218H-862	7.2WX2/mtr, 862mm, 120N/mtr	Anodised Silver

**Linear 2 Way 18mm - H with Hand Shake Sensor (for Cabinet Shelf Edge Handle)**



ITEM	CODE	SPECIFICATION	FINISH
Linear 2 Way Angular 18mm - Door Trigger 2 part Sensor (for Cabinet Shelf Edge)	L-L218A-412	7.2WX2/mtr, 412mm, 120N/mtr	Brown
	L-L218A-562	7.2WX2/mtr, 562mm, 120N/mtr	Brown
	L-L218A-862	7.2WX2/mtr, 862mm, 120N/mtr	Brown

**Linear 2 Way Angular 18mm - Door Trigger 2 part Sensor (for Cabinet Shelf Edge)**



Recessed



Surface

**Door Trigger Sensor (Surface or Recessed)**  
Code: DTS2-1-BL



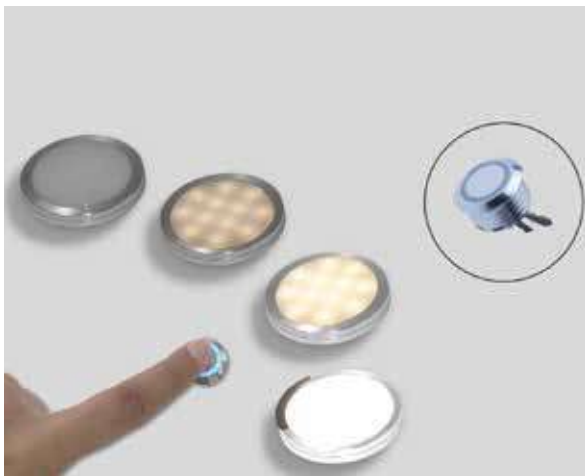
**3/6/10 Way Distributor**  
Code: L-D3/L-D6/L-D10-BL



**Door Trigger Sensor (Surface)**  
Code: DTS3-1-BL



**Extension Cord for Light Series 2 (24V)**  
Code: L-EC2-BL



**Touch Dimmer Sensor**  
Code: TDS-1-SL



**Power Supply Unit - 8W/16W/25W/60W/100W**  
Code: PSU-2408-WH



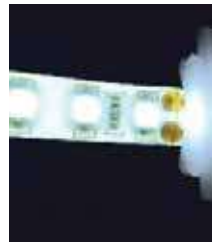
## LUMINOR - VERSATILE DIFFUSER OF LIGHT



- Creates customized length luminaries
- Flexible design for transforming in any outline – horizontal, vertical, diagonal or geometric



- Dot Free Uniform Lighting – Reduces or eliminates the appearance of LED dots
- Seamless Illumination



- Suitable for low and high power LED strips. High power LED strips can be used with heat sink aluminium profiles
- Protection against dust, solid objects or moisture and makes profile cleaning much easier. Suits any type of decor – interior and exterior

Lights have always been a captivating aspect for creating good ambience. Be it offices, showrooms or any households great lighting ambience always elevates any room to another level of elegance. Ebco introduces a path-breaking solution.

Luminor - A light diffusing material which is apt for any interior designer or architects for creating beautiful custom lighting. It has a unique material which is highly flexible, that can be applied on three dimensional structures and diffuses the light homogeneously.

## LUMINOR TECHNICAL DATA SHEET

Material	PVC with special UV stabilizer
Light resistance(UV)	Material stabilized to resist UV rays
Special suggestion	LED power max 18 Watt per meter (for use without at heatsink)
Recommended nos of led/m	120/m
Fire resistance UL94	Self - extinguishing material lass VO(UL94)
Temperature range	C°:-20 C°; +65C°
Interior use	Yes
Exterior use	Yes (does not break/doesn't become yellow)
Warranty	5 years (under normal use)
Life cycle	Over 25 years

## APPLICATION IDEAS

Can be used for various designing purposes:



Kitchen



Living room



Bedroom

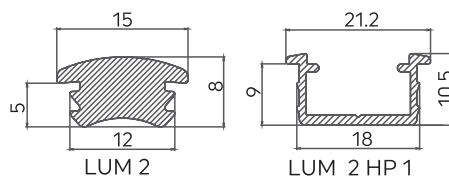


Bathroom

- Interior Lighting - passageways, illuminating mirror edge, floors, etc.
- Cove lighting
- Ceiling and wall lighting
- Exhibition and shelf lighting
- Recessed under kitchen cabinets or retail shelves and display cabinets

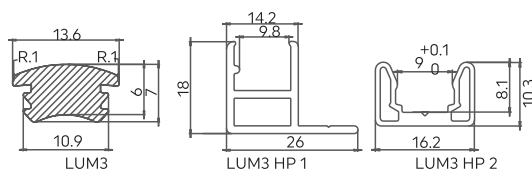
## Luminor 2

ITEMS	CODE NO	SIZE (mm)	FINISH
Luminor 2	LUM2	15x8	Opaline
Luminor 2 Housing Profile 1	LUM2 HP1	21x10.4	Silver
Luminor 2 Housing Profile 1 End Cap	LUM2 HP1 EC	-	Opaline



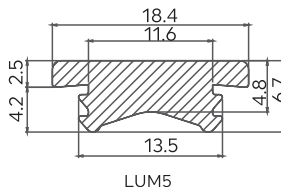
## Luminor 3

ITEMS	CODE NO	SIZE (mm)	FINISH
Luminor 3	LUM3	13.6x7	Opaline
Luminor 3 Housing Profile 1	LUM3 HP1	18.5x27.5	White
Luminor 3 Housing Profile 1 End Cap	LUM3 HP1 EC	-	Opaline
Luminor 3 Housing Profile 2	LUM3 HP2	16x10	Silver



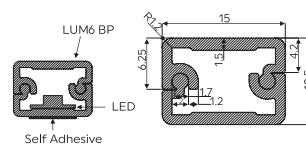
## Luminor 5

ITEMS	CODE NO	SIZE (mm)	FINISH
Luminor 5	LUM5	18.4x6.7	Opaline



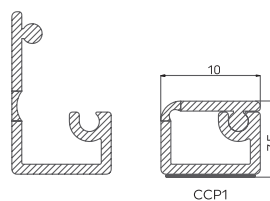
## Luminor 6

ITEMS	CODE NO	SIZE (mm)	FINISH
Luminor 6 ( whitBase profile )	LUM6 BP	16x7	Opaline
Self Adhesive Luminor 6	LUM6 SA	16x7	Opaline



## Cable Cover Profile

ITEMS	CODE NO	SIZE (mm)	FINISH
Cable Cover Profile (with Adhesive)	CCP1	10x7.5	Grey/white



EBCO Pvt. Ltd.  
402 - 403/502, Hyde Park, Saki Vihar Road, Mumbai - 400072, India.  
Tel.: +91 22-67837777 | Fax: +91 22 66920700 | Email: info@ebco.in

**National Display Centres:** Ahmedabad: 079-26880478, Bangalore: 09901615115/08123113218, Chennai: (Mandavelipakkam) 044-24611937/24620328, (Kottivakkam) 9840841381/1382 Cochin: 0484-2333394/95, Coimbatore: 0422-4356389/4356389/2548316, Delhi: (Moti Nagar) 011-4061622/9899112958, (Okhla) 9810876569, Guwahati: 09435111409, Hyderabad: 9666478673/7075796166, Indore: 0731-4040800/09826049295, Jaipur: 0141-2390773/777, Kolkata: 033-46034171/72, Lucknow: 9838201783/9628368705, Mumbai: 022-67837700/77, Nagpur: 0712-2221637/638, Nashik: 8380074994, Surat: 0261-2234677

**City Display Centres:** Bhopal: 09691171147, Calicut: 8606199229/8606842229, Kolkata: 033-40042130, Ghaziabad: (Sahibabad) 09643300730/2, Madurai: 0452-4208072, Mumbai: (Malad) 9819752604, Mysore: 08213510532/08951053556, Trivandrum: 9645006995.

